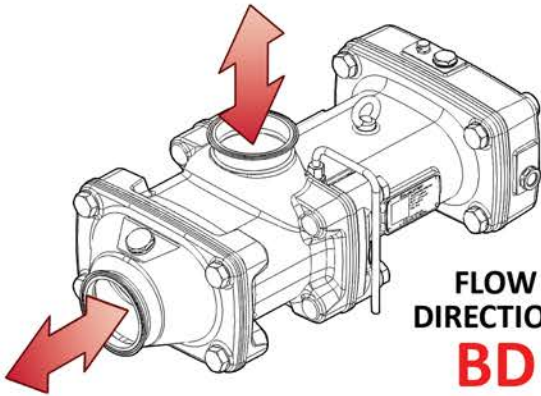
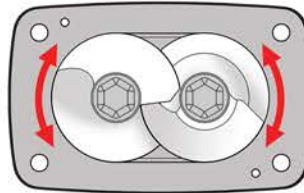


## BD2A (T)

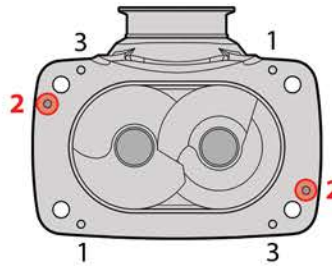
BD - Bi-Directional  
2 - Pin Position 2  
A - Spindle Arrangement A  
T - Top



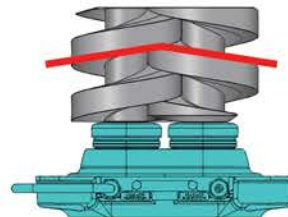
FLOW  
DIRECTION:  
**BD**



SHAFT ROTATION:  
**BI-DIRECTIONAL**  
evenly distributed clearance



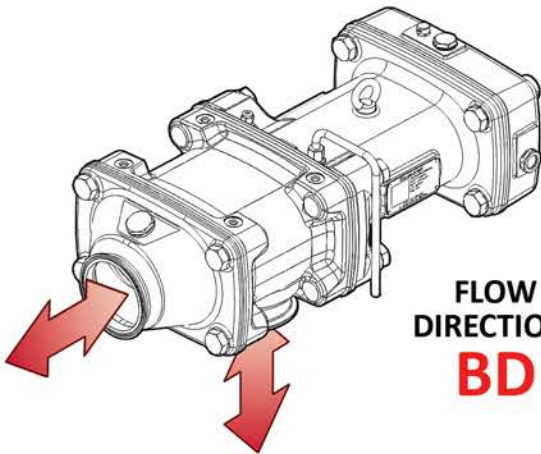
PIN CONFIGURATION:  
**2**  
evenly distributed clearance



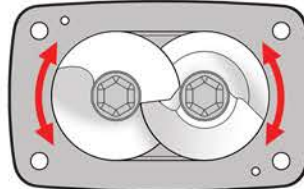
SPINDLE  
ARRANGEMENT:  
**A**

## BD2A (B)

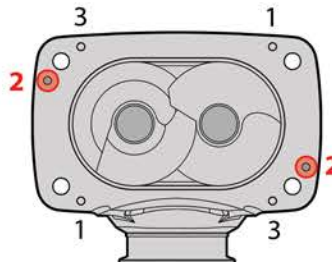
BD - Bi-Directional  
2 - Pin Position 2  
A - Spindle Arrangement A  
B - Bottom



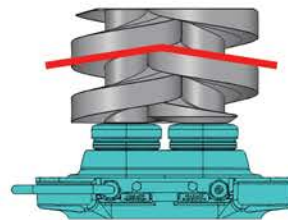
FLOW  
DIRECTION:  
**BD**



SHAFT ROTATION:  
**BI-DIRECTIONAL**  
evenly distributed clearance



PIN CONFIGURATION:  
**2**  
evenly distributed clearance



SPINDLE  
ARRANGEMENT:  
**A**