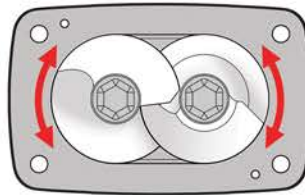
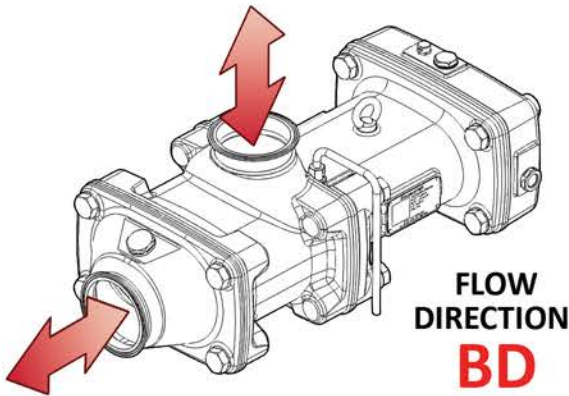
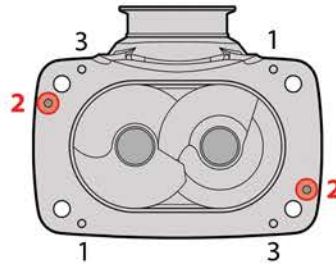


BD2V (T)

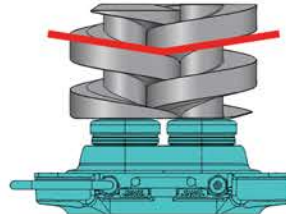
BD - Bi-Directional
2 - Pin Position 2
V - Spindle Arrangement V
T - Top



SHAFT ROTATION:
BI-DIRECTIONAL
evenly distributed clearance



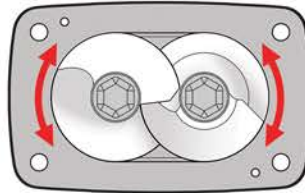
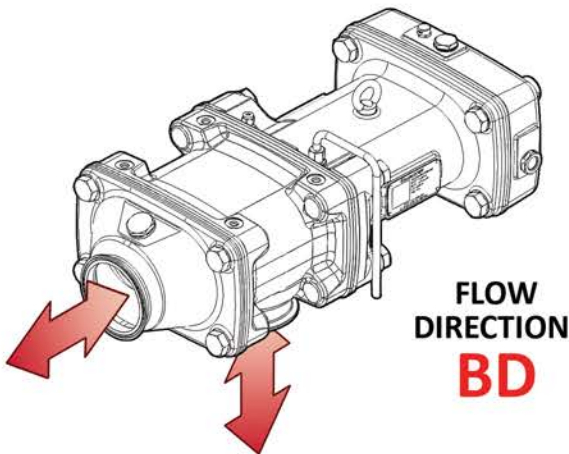
PIN CONFIGURATION:
2
evenly distributed clearance



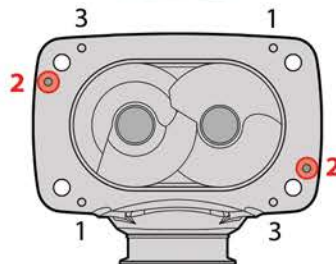
SPINDLE
ARRANGEMENT:
V

BD2V (B)

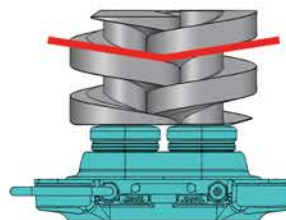
BD - Bi-Directional
2 - Pin Position 2
V - Spindle Arrangement V
B - Bottom



SHAFT ROTATION:
BI-DIRECTIONAL
evenly distributed clearance



PIN CONFIGURATION:
2
evenly distributed clearance



SPINDLE
ARRANGEMENT:
V