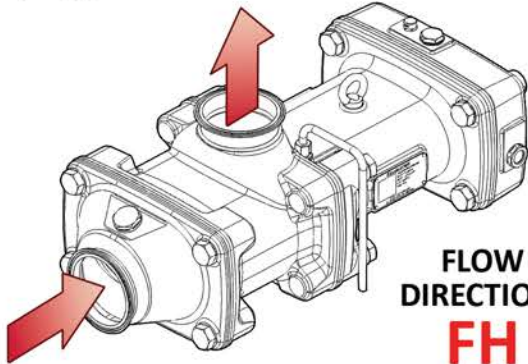
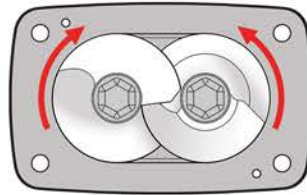


FHI1A (T)

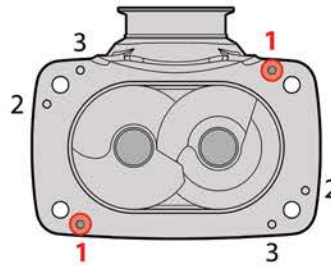
FH - Face In / Housing Out
I - Inwards
1 - Pin Position 1
A - Spindle Arrangement A
T - Top



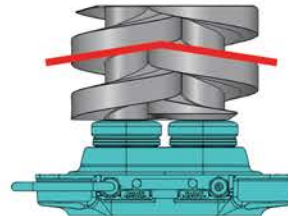
FLOW
DIRECTION:
FH



SHAFT ROTATION:
INWARDS
requires clearance on bottom



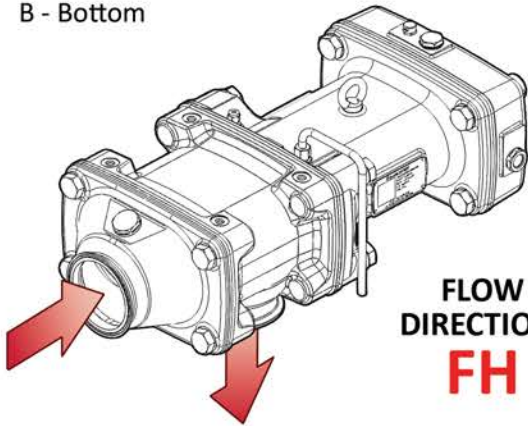
PIN CONFIGURATION:
1
delivers clearance on bottom



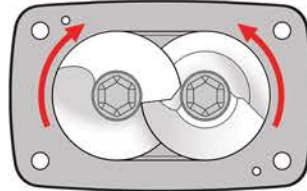
SPINDLE
ARRANGEMENT:
A

FHI1A (B)

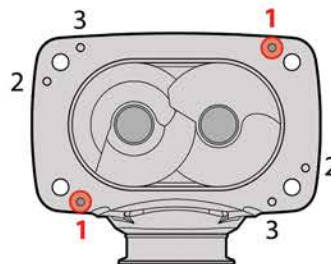
FH - Face In / Housing Out
I - Inwards
1 - Pin Position 1
A - Spindle Arrangement A
B - Bottom



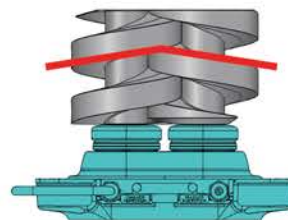
FLOW
DIRECTION:
FH



SHAFT ROTATION:
INWARDS
requires clearance on bottom



PIN CONFIGURATION:
1
delivers clearance on bottom



SPINDLE
ARRANGEMENT:
A