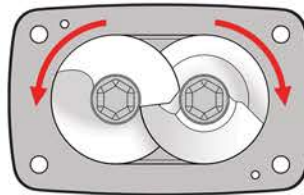
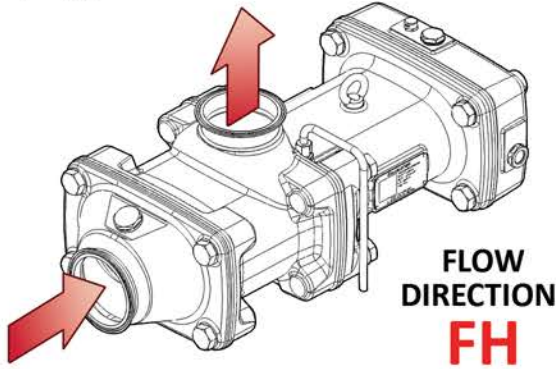
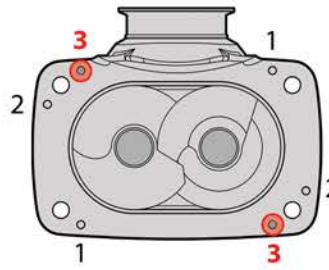


FHO3V (T)

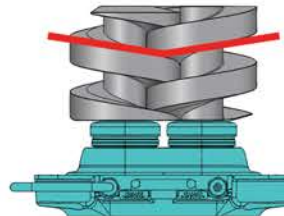
FH - Face In / Housing Out
O - Outwards
3 - Pin Position 3
V - Spindle Arrangement V
T - Top



SHAFT ROTATION:
OUTWARDS
requires clearance on the top



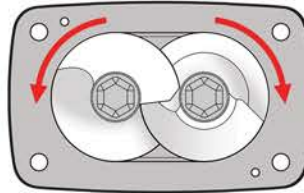
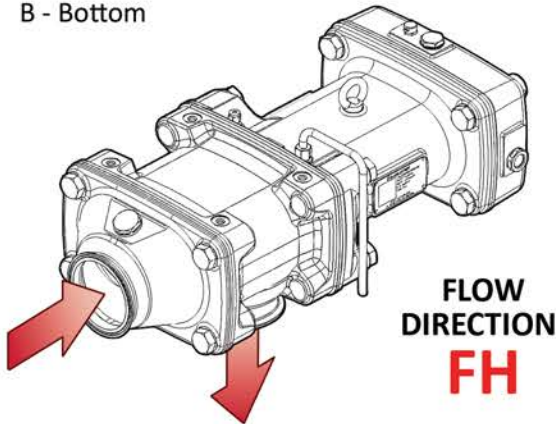
PIN CONFIGURATION:
3
delivers clearance on the top



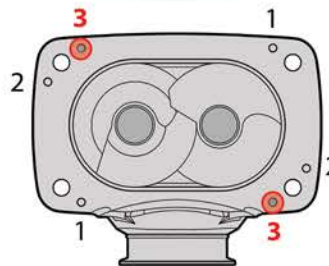
SPINDLE ARRANGEMENT:
V

FHO3V (B)

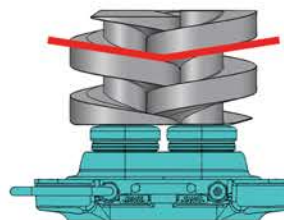
FH - Face In / Housing Out
O - Outwards
3 - Pin Position 3
V - Spindle Arrangement V
B - Bottom



SHAFT ROTATION:
OUTWARDS
requires clearance on the top



PIN CONFIGURATION:
3
delivers clearance on the top



SPINDLE ARRANGEMENT:
V