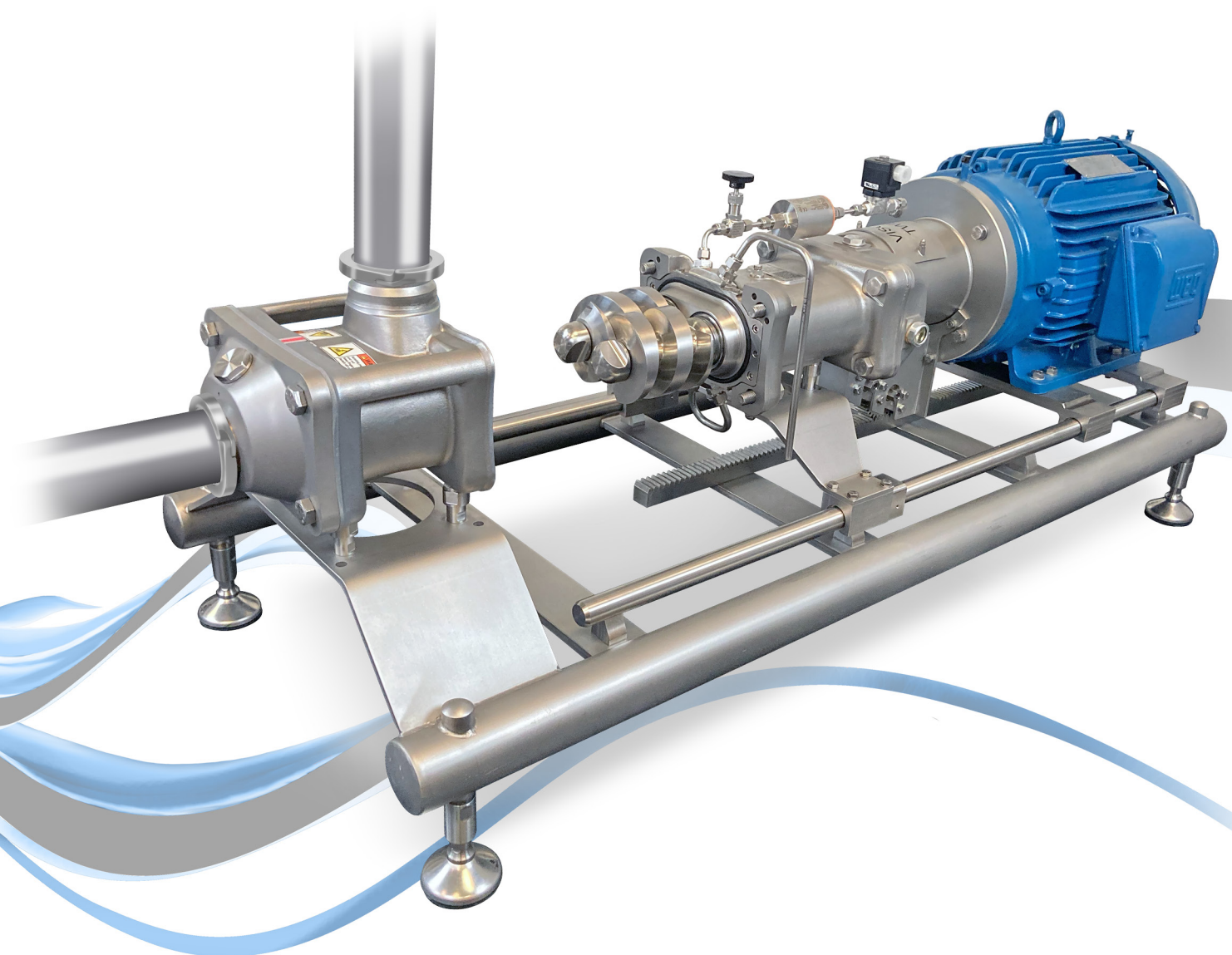


Frame 4 Service Rail

2021 BROCHURE



PROCESSTEC
GET TOMORROW'S TECHNOLOGY TODAY

Frame 4 Service Rail Features & Benefits

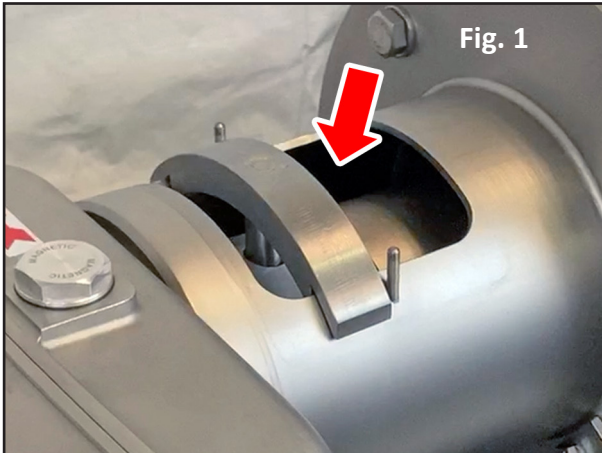


Fig. 1

SHAFT BLOCKING TOOL

- Saves time during pump maintenance
- Added SAFETY during maintenance
- No Additional assistance required



Fig. 2

GEAR HOUSING INSPECTION PORT

- Allows for various monitoring sensors
- Easily monitor Bearing Lifespan
- Allows for easy access for gapping procedure



Fig. 3

DUAL OIL LEVEL SIGHT GAUGES

- Check Oil Levels from either side
- Allows for more flexibility in placement
- Check for oil turbidity

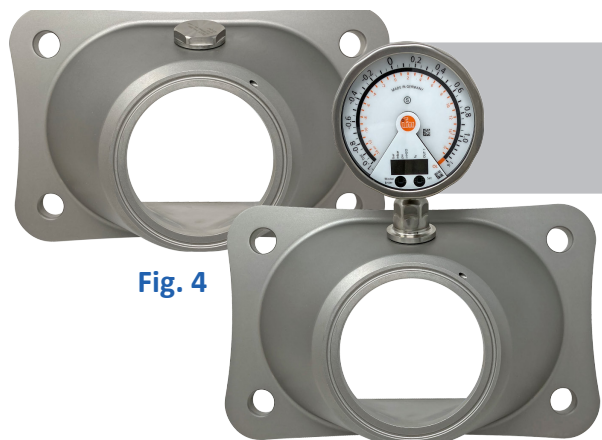


Fig. 4

NPSH OPTIMIZED PUMP FACE

- Optimized shape for pumping sensitive products.
- Better Prevention of Pump Cavitation
- Lowers Pulsation
- Allows for the installation of a Pressure Gauge

Frame 4 Overview Drawing

SANITARY STAINLESS STEEL

Frame 4 was designed to meet Food Industry requirements, and is made of Stainless Steel for easy sanitization. All parts designed for easy clean-in-place.

MOTOR
All NEMA-framed motors from sizes 180 to 360 will fit. IEC Motors are also available on request.

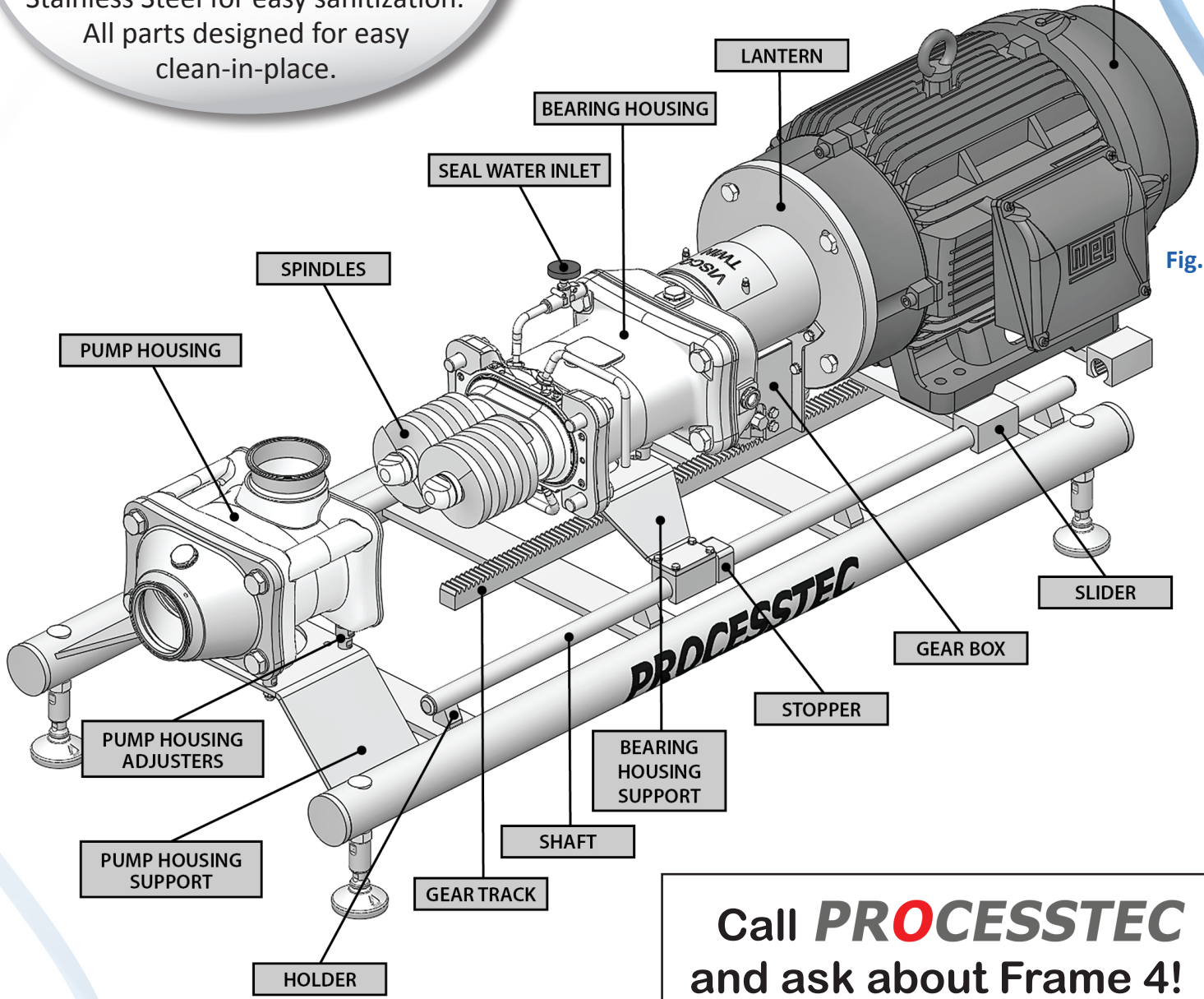


Fig. 5

Call **PROCESSTEC** and ask about Frame 4!

Watch a Video of the **Frame 4 Service Rail** IN ACTION!

Read the full **Frame 4 Service Rail** Manual here:

Some of the Industries we serve



DAIRY



JUICES



FRUITS



PERSONAL CARE



TOMATO



BEVERAGES



SAUCES



INFANT FORMULA



PROCESSED FOODS



PROCESSED MEAT



BAKERY



CONFECTIONERY



PASTRIES



OILS



FRAGRANCE



CHEMICALS



PAINTS



VARNISHES



OINTMENTS



PHARMACEUTICALS

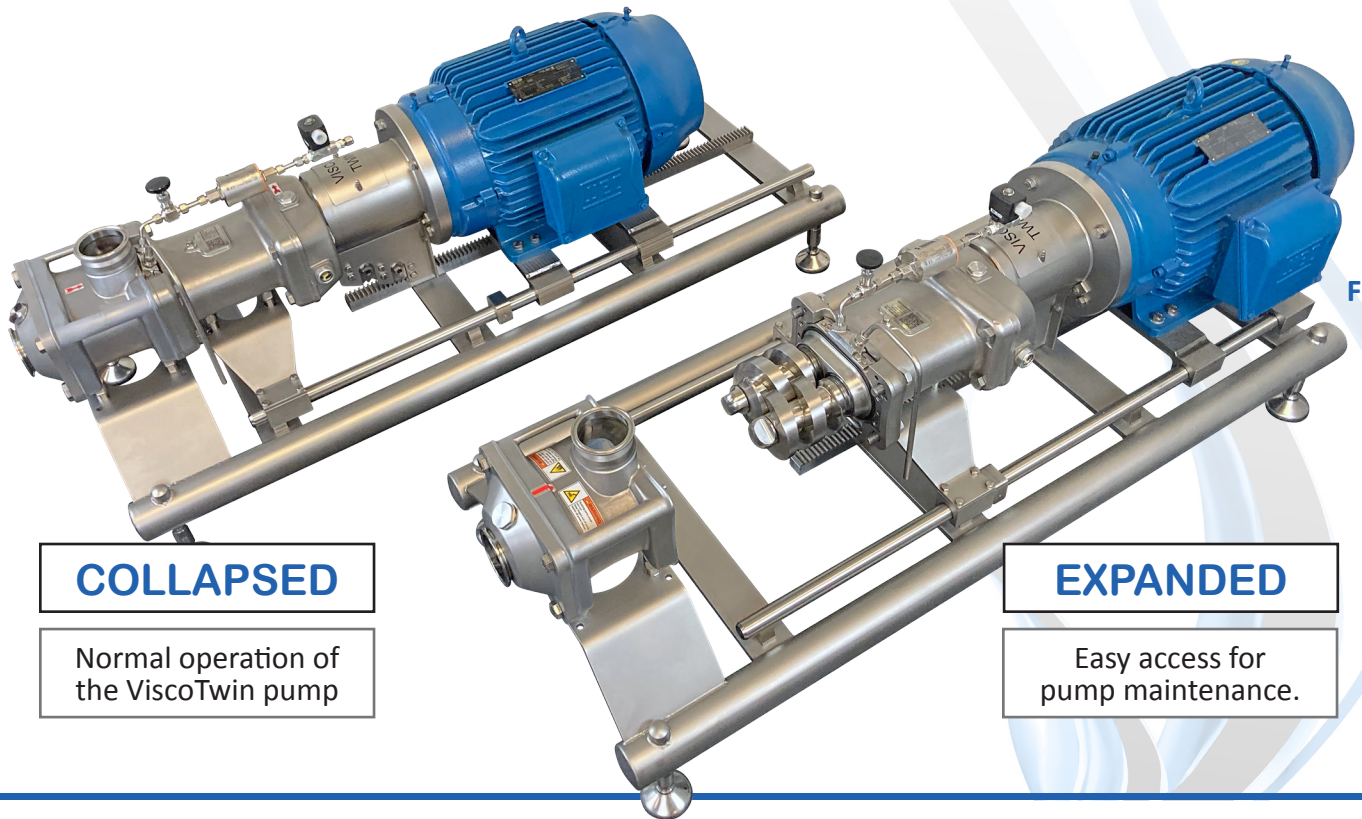


Fig. 6

COLLAPSED

Normal operation of the ViscoTwin pump

EXPANDED

Easy access for pump maintenance.



Fig. 7



Fig. 8

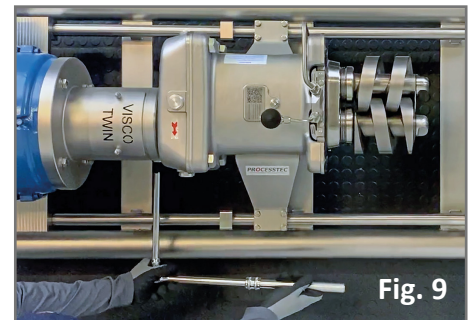


Fig. 9

Precision Engineered!

Increased Efficiency!

Easy to Maintain!

PROCESSTEC, Inc.
9938 West Legacy Ave.
Visalia, CA 93291

Phone: +1 (559) 429-4227
Fax: +1 (559) 429-4228

Email: info@processtec.com
<http://processtec.com>