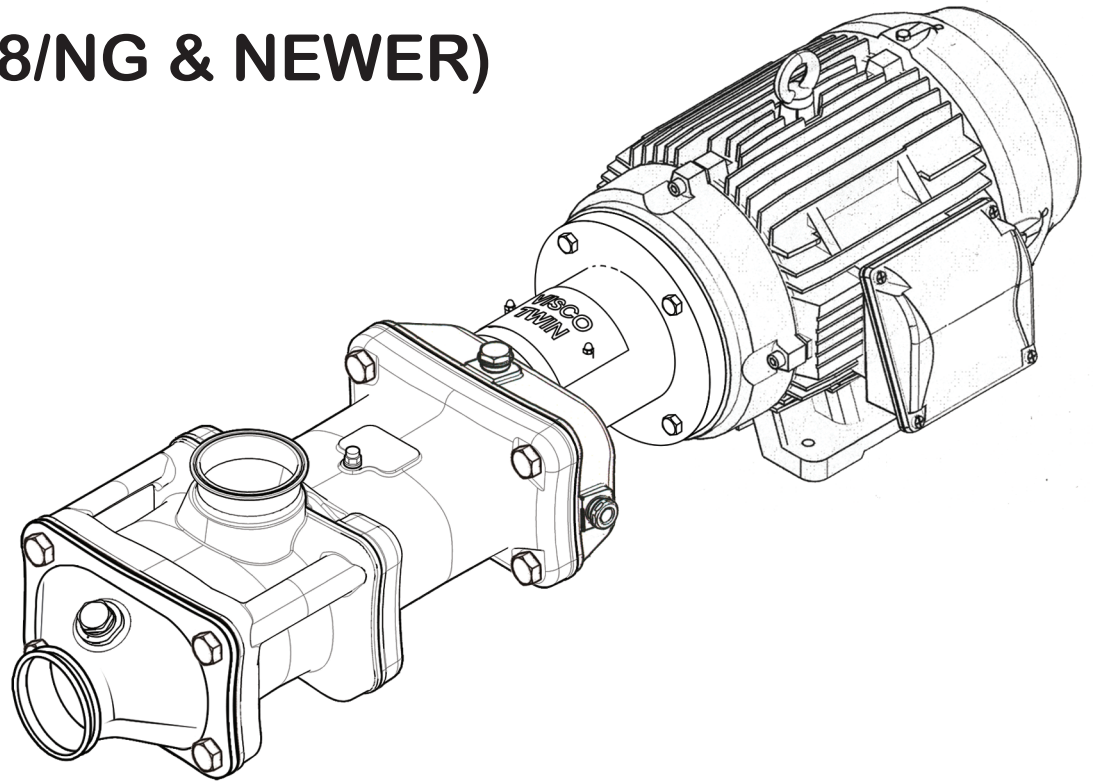


Identifying ViscoTwin Pumps, G8/NG & Newer

ViscoTwin 70 (G8/NG & NEWER)

(details coming soon..)



ViscoTwin 104 (G8/NG & NEWER)

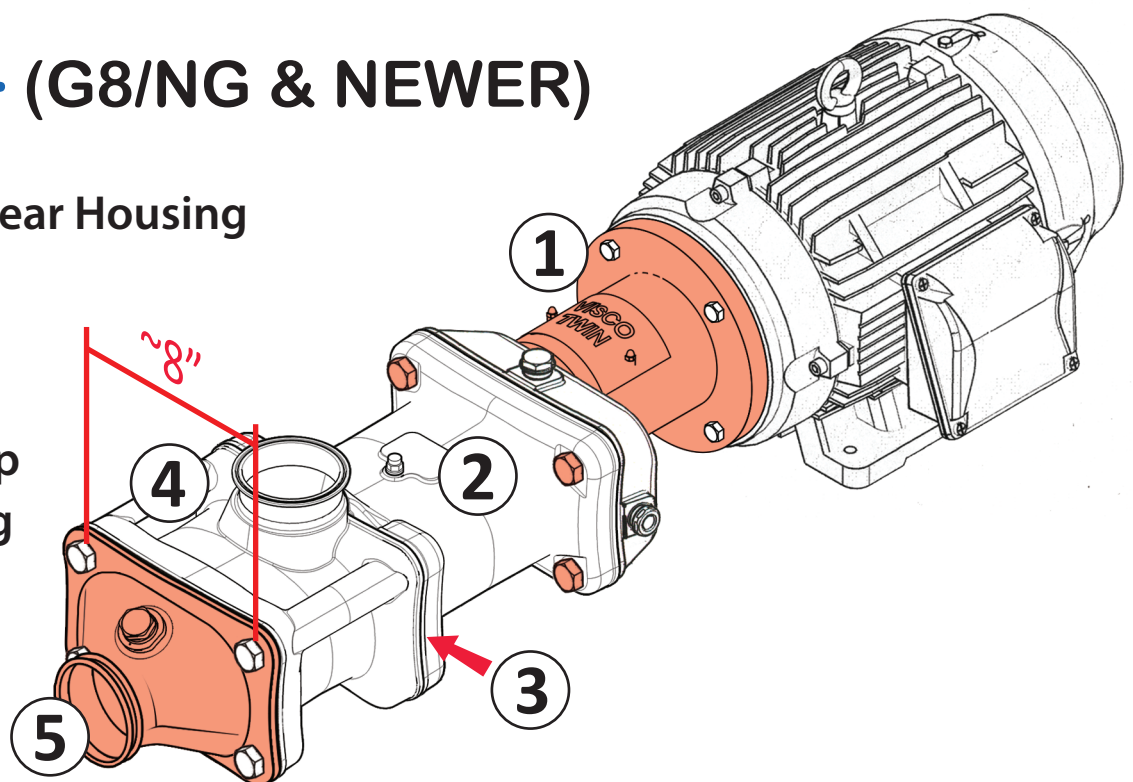
1) Lantern is Detachable from Gear Housing

2) Four Bolts on Gear Housing

3) No Visible Gap between Pump Housing and Bearing Housing

4) Top Pump Face Bolts are ~8" apart (center to center)

5) NSPH+ Pump Face



ViscoTwin 130 (G8/NG & NEWER)

1) Lantern is Detachable from Gear Housing

2) Four Bolts on Gear Housing

3) No Visible Gap between Pump Housing and Bearing Housing

4) Top Pump Face Bolts are ~9.5" apart (center to center)

5) NSPH+ Pump Face

