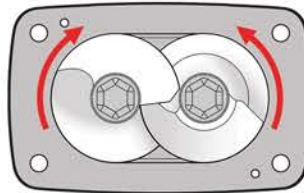
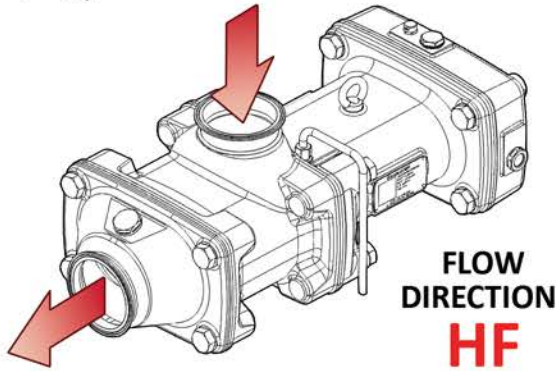
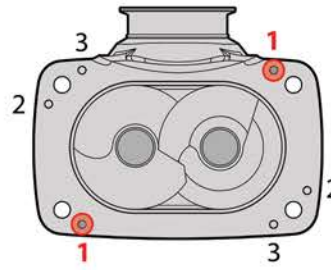


HFI1V (T)

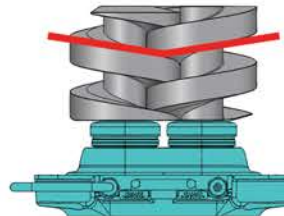
HF - Housing In / Face Out
I - Inwards
1 - Pin Position 1
V - Spindle Arrangement V
T - Top



SHAFT ROTATION:
INWARDS
requires clearance on bottom



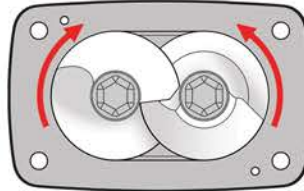
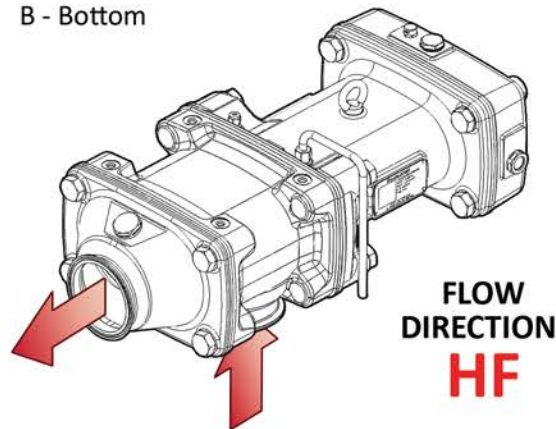
PIN CONFIGURATION:
1
delivers clearance on bottom



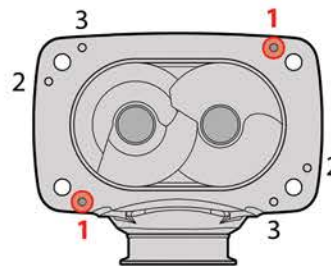
SPINDLE
ARRANGEMENT:
V

HFI1V (B)

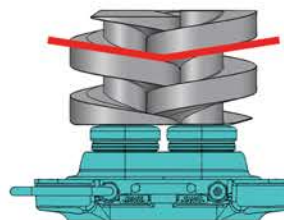
HF - Housing In / Face Out
I - Inwards
1 - Pin Position 1
V - Spindle Arrangement V
B - Bottom



SHAFT ROTATION:
INWARDS
requires clearance on bottom



PIN CONFIGURATION:
1
delivers clearance on bottom



SPINDLE
ARRANGEMENT:
V