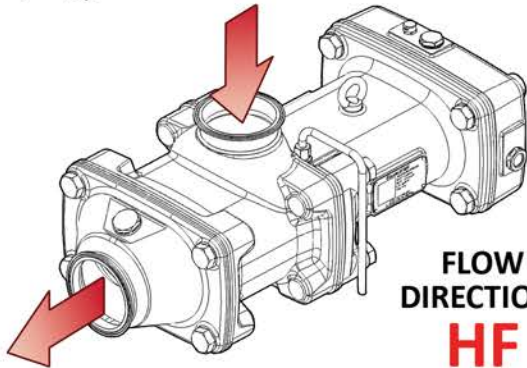
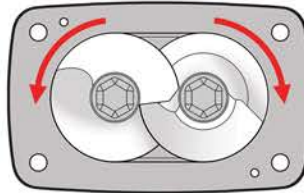


HFO3A (T)

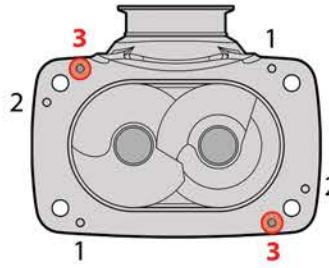
HF - Housing In / Face Out
O - Outwards
3 - Pin Position 3
A - Spindle Arrangement A
T - Top



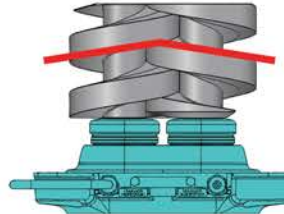
FLOW
DIRECTION:
HF



SHAFT ROTATION:
OUTWARDS
requires clearance on the top



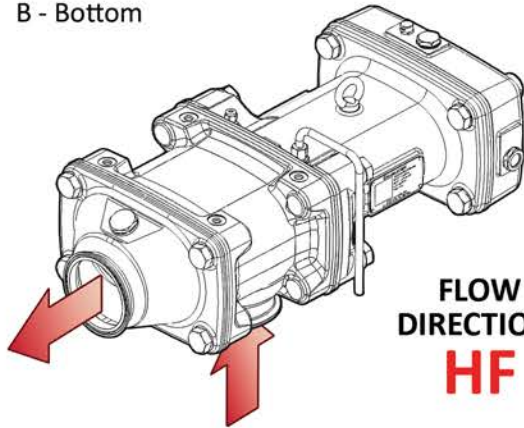
PIN CONFIGURATION:
3
delivers clearance on the top



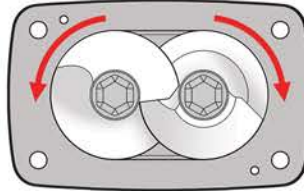
SPINDLE
ARRANGEMENT:
A

HFO3A (B)

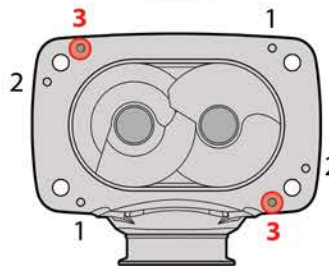
HF - Housing In / Face Out
O - Outwards
3 - Pin Position 3
A - Spindle Arrangement A
B - Bottom



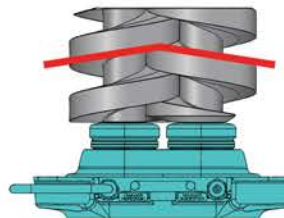
FLOW
DIRECTION:
HF



SHAFT ROTATION:
OUTWARDS
requires clearance on the top



PIN CONFIGURATION:
3
delivers clearance on the top



SPINDLE
ARRANGEMENT:
A