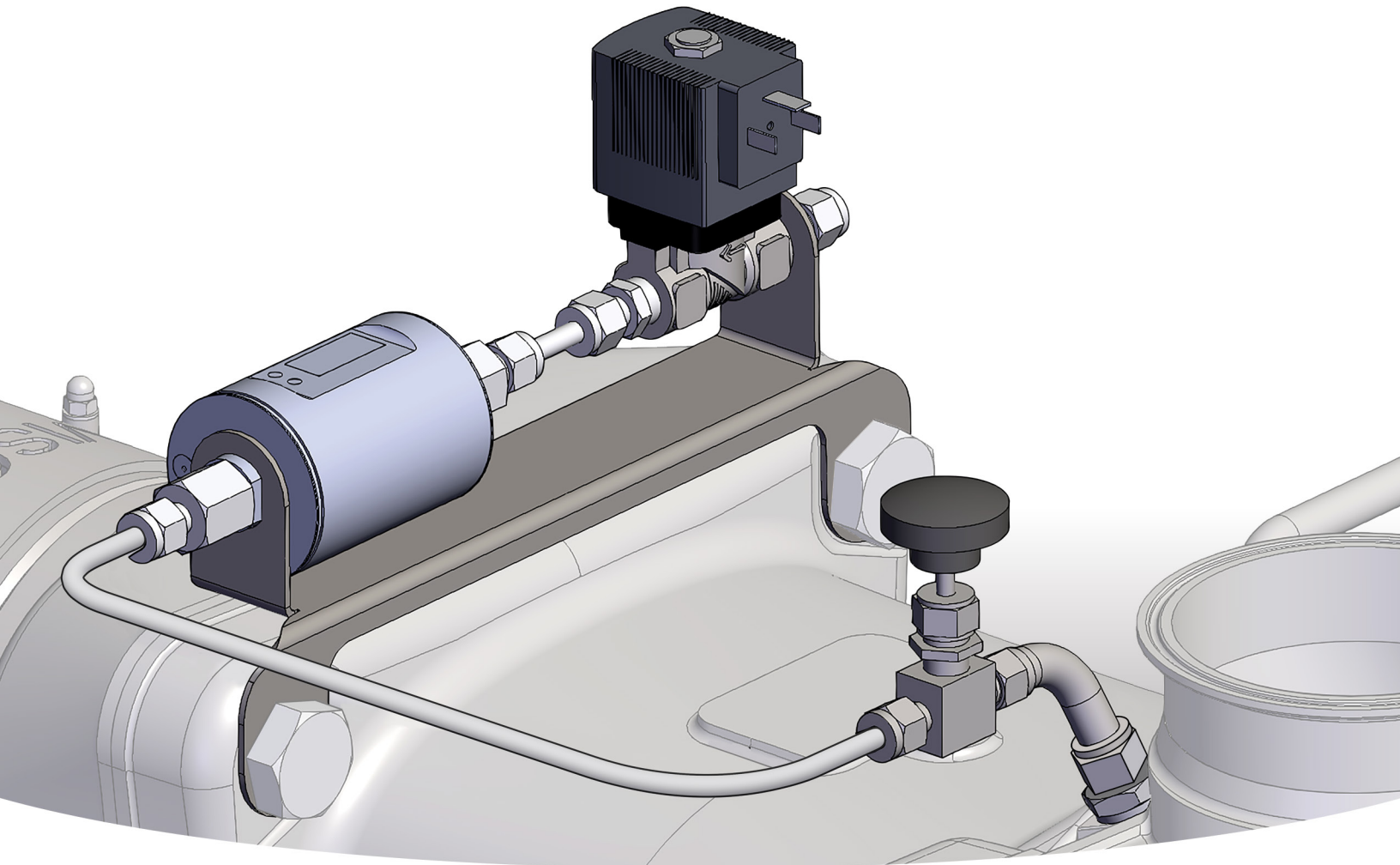


# SWAK

## Seal Water Automation Kit

TECHNICAL BROCHURE

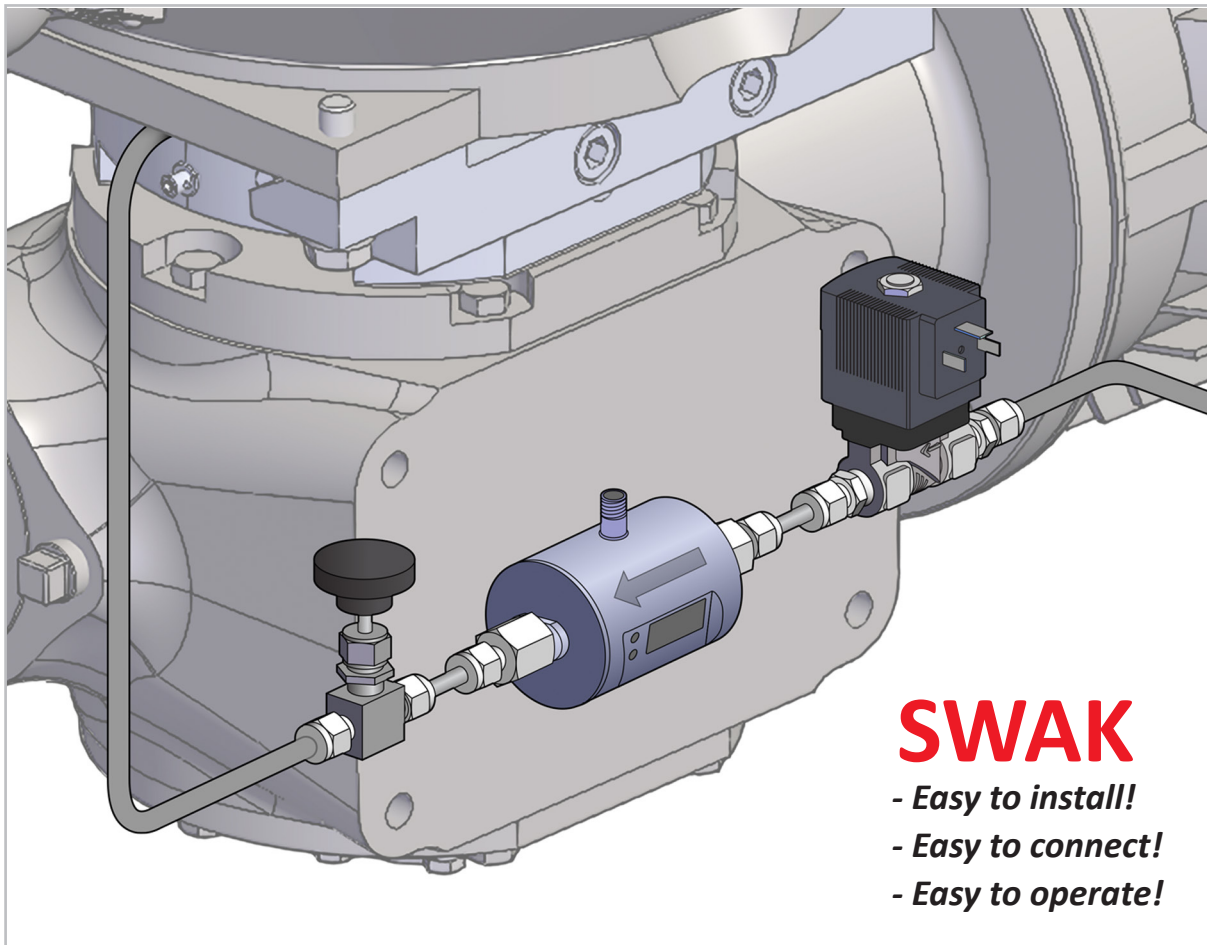


# Seal Water Automation Kit (SWAK)

---

*PROCESSTEC* provides versatile, efficient, and easy-to-use solutions to support engineers, operators, and maintenance personnel in the integration of process equipment.

One of the very practical solutions at *PROCESSTEC* is **SWAK**, the **Seal Water Automation Kit**.

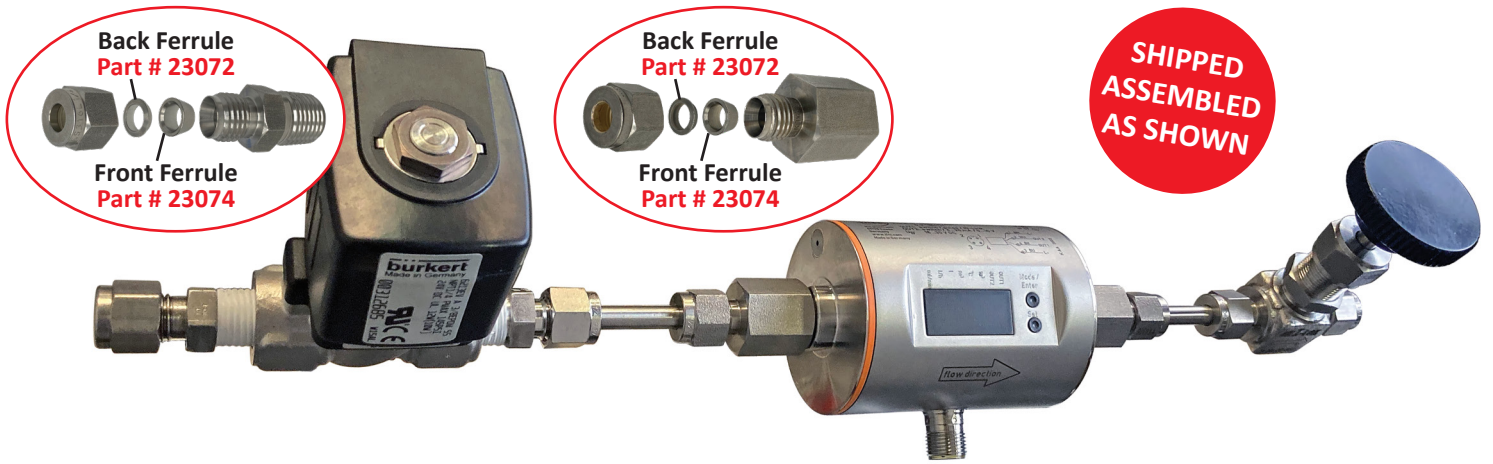


SWAK is a device that ensures proper supply of seal water for double acting mechanical seals (DAMS). It can be installed on any machinery that is equipped with DAMS such as agitators, pumps, mixers, and emulsifiers.

- PLC-controlled supply of seal water.
- Fittings, tubing, and valves are ready for plug and play installation.

SWAK includes a tiny flow meter with a programmable set point, a solenoid or pneumatic shut-off valve, and all necessary fittings, cables, plugs and pipes in stainless steel.

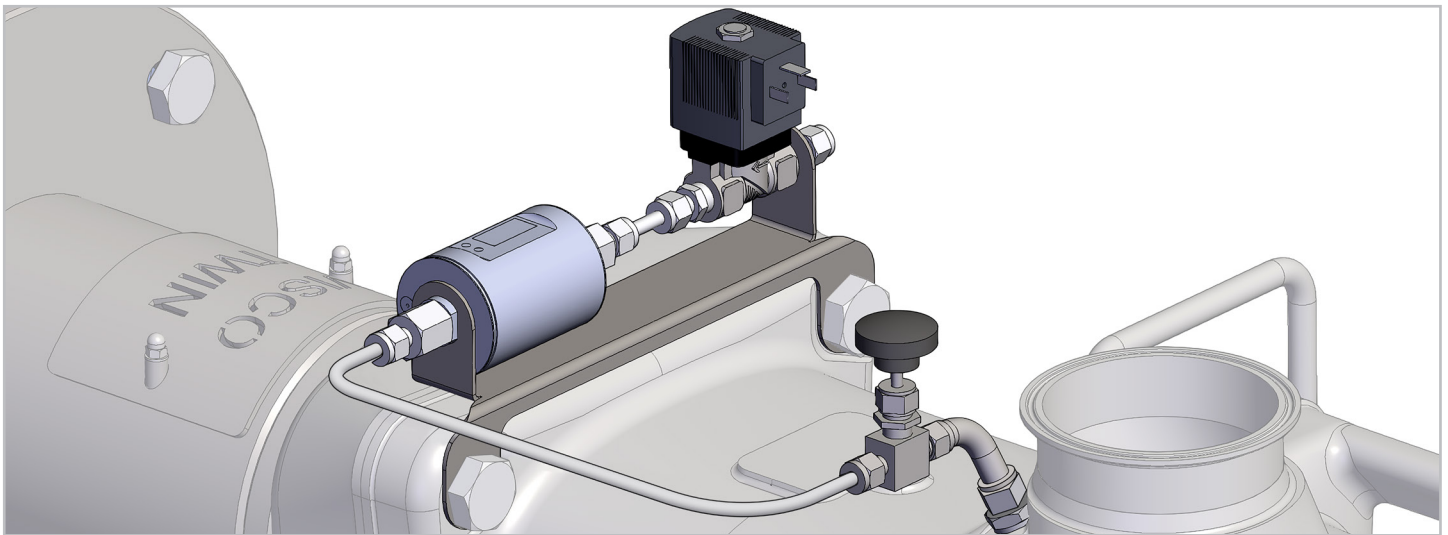
# Part # 22311 SWAK



Burkert Solenoid Shutoff Valve	1/4" Stainless Steel Tubing	IFM Flow Meter	1/4" Needle Valve
Automates the flow of seal water to start and stop with your DAMS.	2 pieces of 1/4" ID stainless steel tubing are included.	Monitors the volumetric flow, quantity consumed, and even seal water temperature.	Stainless steel needle valve, used with a flow meter for precise control of seal water.
<b>Part # 21951</b>	--	<b>Part # 21460</b>	<b>Part # 10745</b>

# SWAK Mounting Brackets for ViscoTwin Pumps

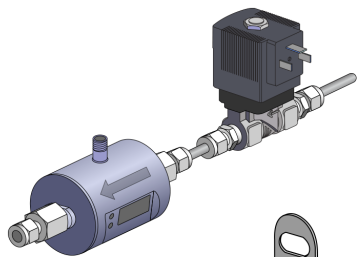
---



At PROCESSTEC, we use a SWAK for our **ViscoTwin** pumps VT104-G8 and VT130-G8. This setting can be installed with or without a mounting bracket, a practical solution for individual mounting.

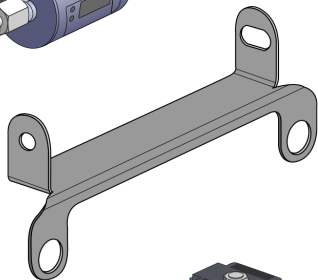
## **Practical also because:**

- Should you already have a SWAK, you can upgrade it with a Mounting Bracket.
- The stainless intermediate tube can be adapted to the length of the bracket.
- A clamping ring for the existing compression fittings can also be supplied on request.
- SWAK brackets are available in both LEFT and RIGHT versions.



## **SWAK (KIT ONLY)**

**Part # 22311** Seal Water Automation Kit (Kit Only - No Bracket included)



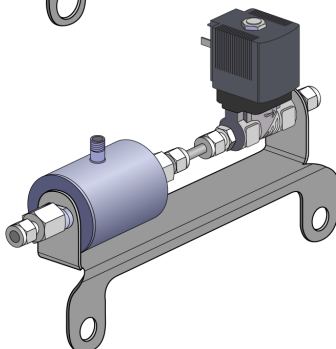
## **MOUNTING BRACKETS ONLY**

**Part # 23070** Mounting Bracket for VT104 (LEFT)

**Part # 23269** Mounting Bracket for VT104 (RIGHT)

**Part # 23071** Mounting Bracket for VT130 (LEFT)

**Part # 23270** Mounting Bracket for VT130 (RIGHT)



## **COMPLETE SWAK WITH MOUNTING BRACKETS**

**Part # 23494** SWAK with Mounting Bracket for VT104 (LEFT)

**Part # 22311** SWAK with Mounting Bracket for VT104 (RIGHT)

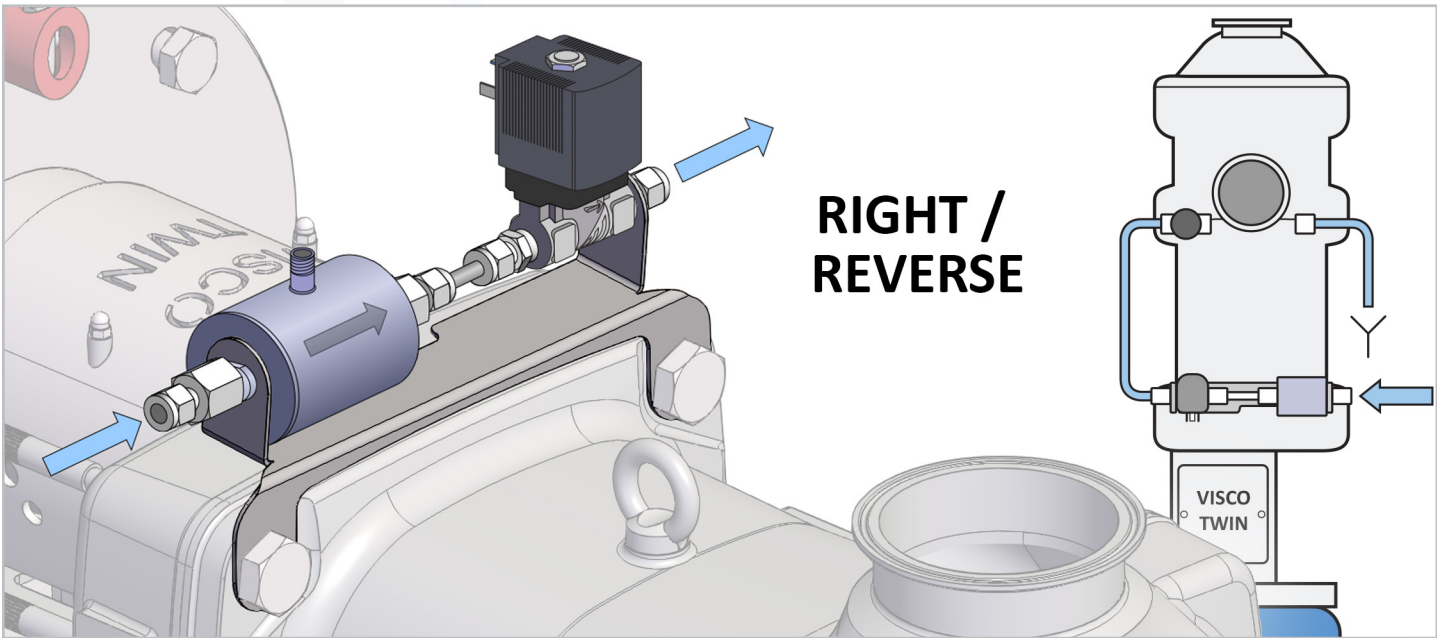
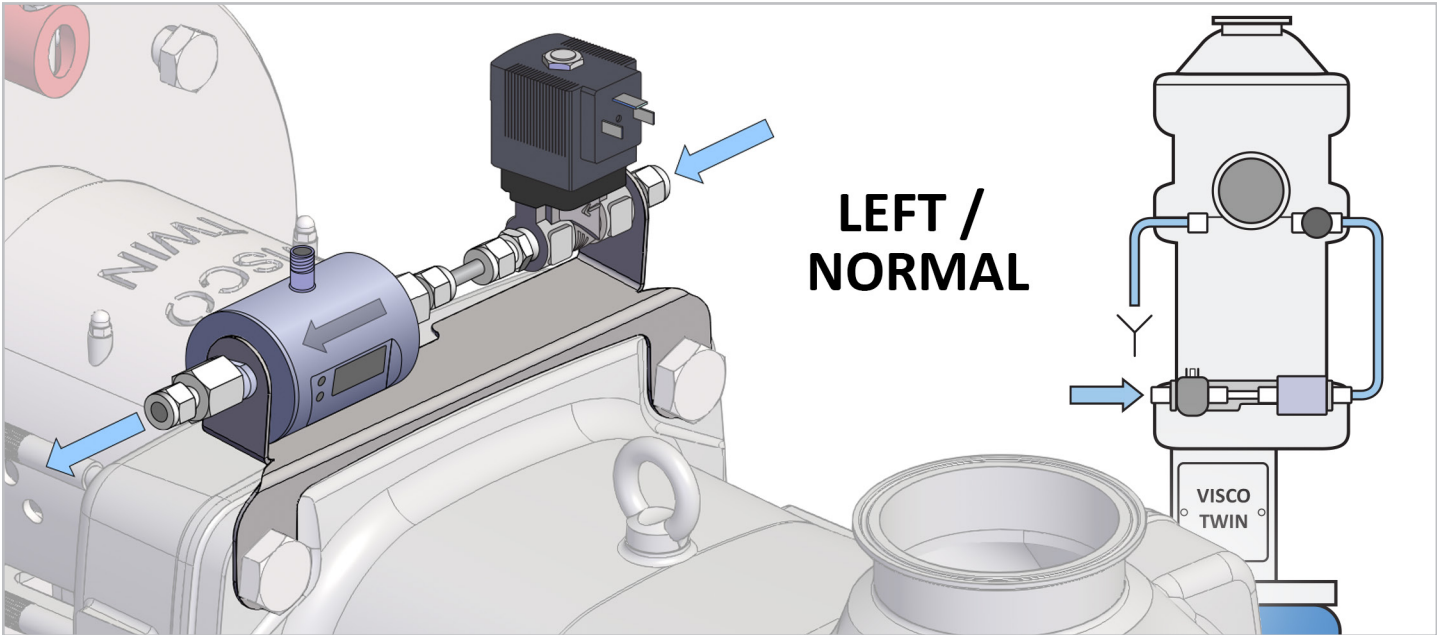
**Part # 23495** SWAK with Mounting Bracket for VT130 (LEFT)

**Part # 23496** SWAK with Mounting Bracket for VT130 (RIGHT)

# SWAK Mounting Brackets (LEFT SIDED)

Use the SWAK Mounting Bracket to secure SWAK on your **ViscoTwin**.

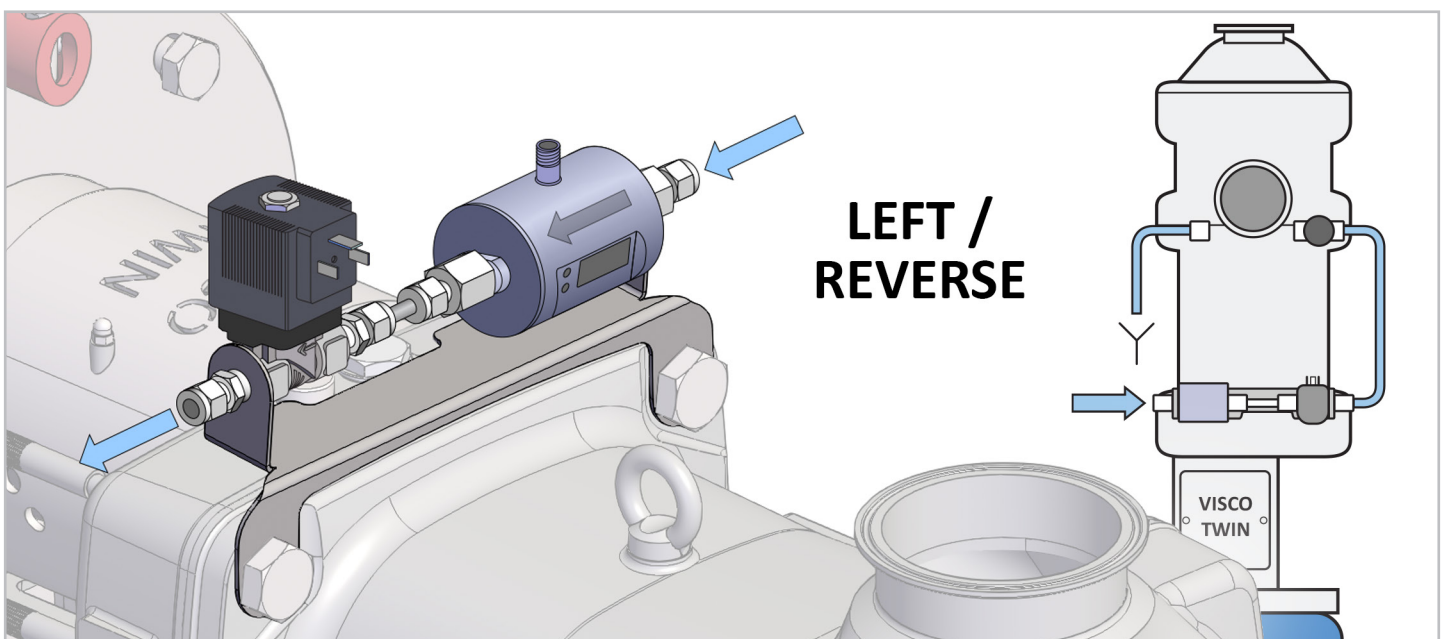
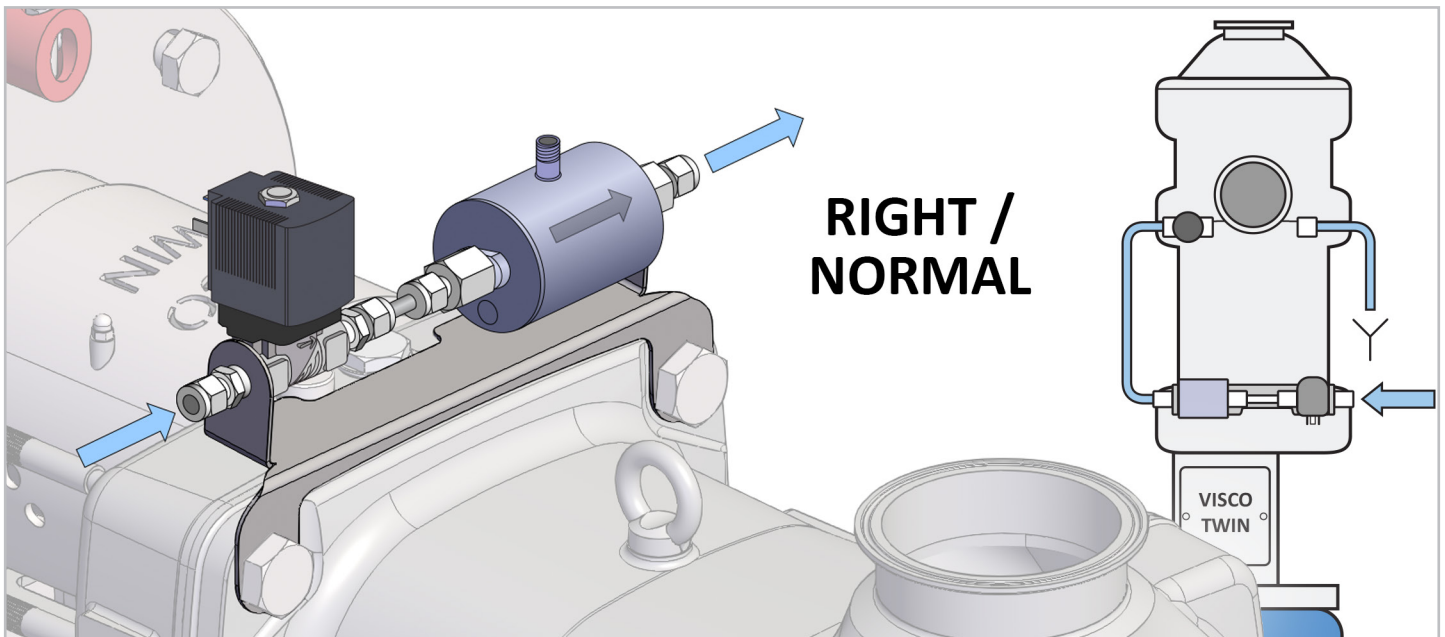
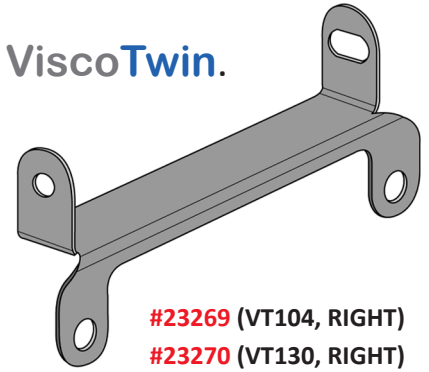
The **LEFT BRACKET** can be used on **LEFT / NORMAL** and **RIGHT / REVERSE** Configurations, as shown in the illustrations and diagrams below. Note the Light Blue Direction Arrows, indicating the direction that the Seal Water flows. Both the Flow Meter and the Solenoid Shutoff Valve will have an arrow on them to indicate flow direction as well.



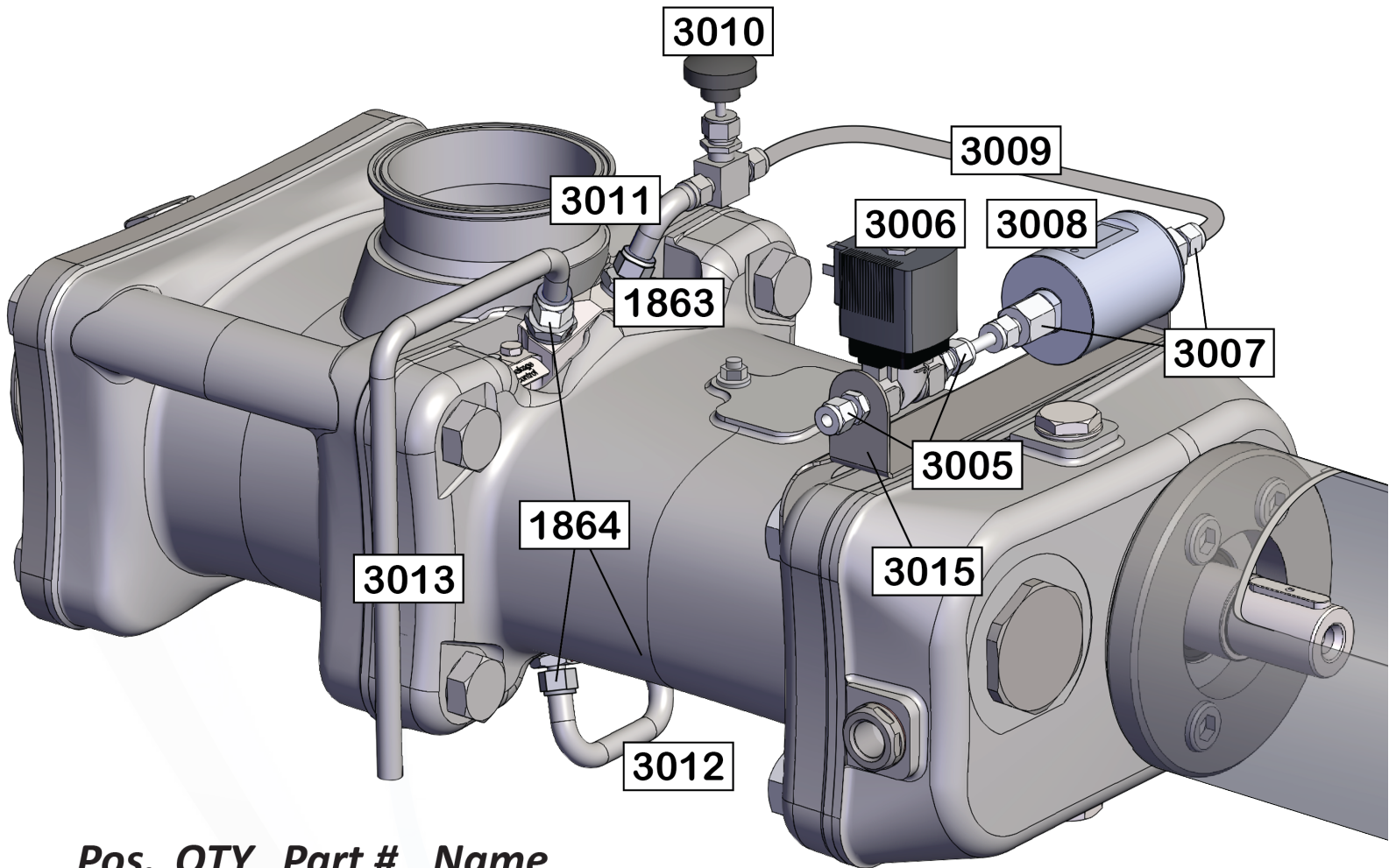
# SWAK Mounting Bracket (RIGHT SIDED)

Use the SWAK Mounting Bracket to secure SWAK on your **ViscoTwin**.

The **RIGHT BRACKET** can be used on **RIGHT / NORMAL** and **LEFT / REVERSE** Configurations, as shown in the illustrations and diagrams below. Note the Light Blue Direction Arrows, indicating the direction that the Seal Water flows. Both the Flow Meter and the Solenoid Shutoff Valve will have an arrow on them to indicate flow direction as well.



# SWAK Components and Spare Parts



<b>Pos.</b>	<b>QTY</b>	<b>Part #</b>	<b>Name</b>
3005	2	<b>22206</b>	Male Connector Straight 1/4 - 1/4 VT104 VT130 G8 NG G10
3006	1	<b>21951</b>	6213 Burkert Solenoid Shutoff Valve
3007	2	<b>21464</b>	Female Connector Straight 1/4 - 1/4 VT104 VT130 G8 NG
3008	1	<b>21460</b>	SM4100 IFM Flow Meter
3009	1	<b>23393</b>	Seal Water Mounting Bracket Tubing VT104 G8 NG
3009	1	<b>23394</b>	Seal Water Mounting Bracket Tubing VT130 G8 NG
3010	1	<b>10745</b>	SS-1 Needle Valve
3011	1	<b>22014</b>	Supply Pipe Seal Water VT70 VT104 VT130 G8 NG G10
3012	1	<b>22015</b>	Link Pipe Seal Water VT70 VT104 VT130 G8 NG
3013	1	<b>22017</b>	Discharge Pipe Seal Water VT70 VT104 VT130 G8 NG G10
3015	1	<b>23339</b>	SWAK Bracket VT70 Left
3015	1	<b>23341</b>	SWAK Bracket VT70 Right
3015	1	<b>23070</b>	SWAK Bracket VT104 Left
3015	1	<b>23269</b>	SWAK Bracket VT104 Right
3015	1	<b>23071</b>	SWAK Bracket VT130 Left
3015	1	<b>23270</b>	SWAK Bracket VT130 Right
1863	1	<b>21690</b>	Male Connector Straight G3/8 - T1/4 VT70/104/130 G8 NG G10
1864	3	<b>21689</b>	Male Connector Straight G3/8 - T3/8 VT70/104/130 G8 NG G10

## Some of the Industries We Serve



DAIRY



JUICES



FRUITS



PERSONAL CARE



TOMATO



BEVERAGES



SAUCES



INFANT FORMULA



PROCESSED FOODS



PROCESSED MEAT



BAKERY



CONFECTIONERY



PASTRIES



OILS



FRAGRANCE



CHEMICALS



PAINTS



VARNISHES

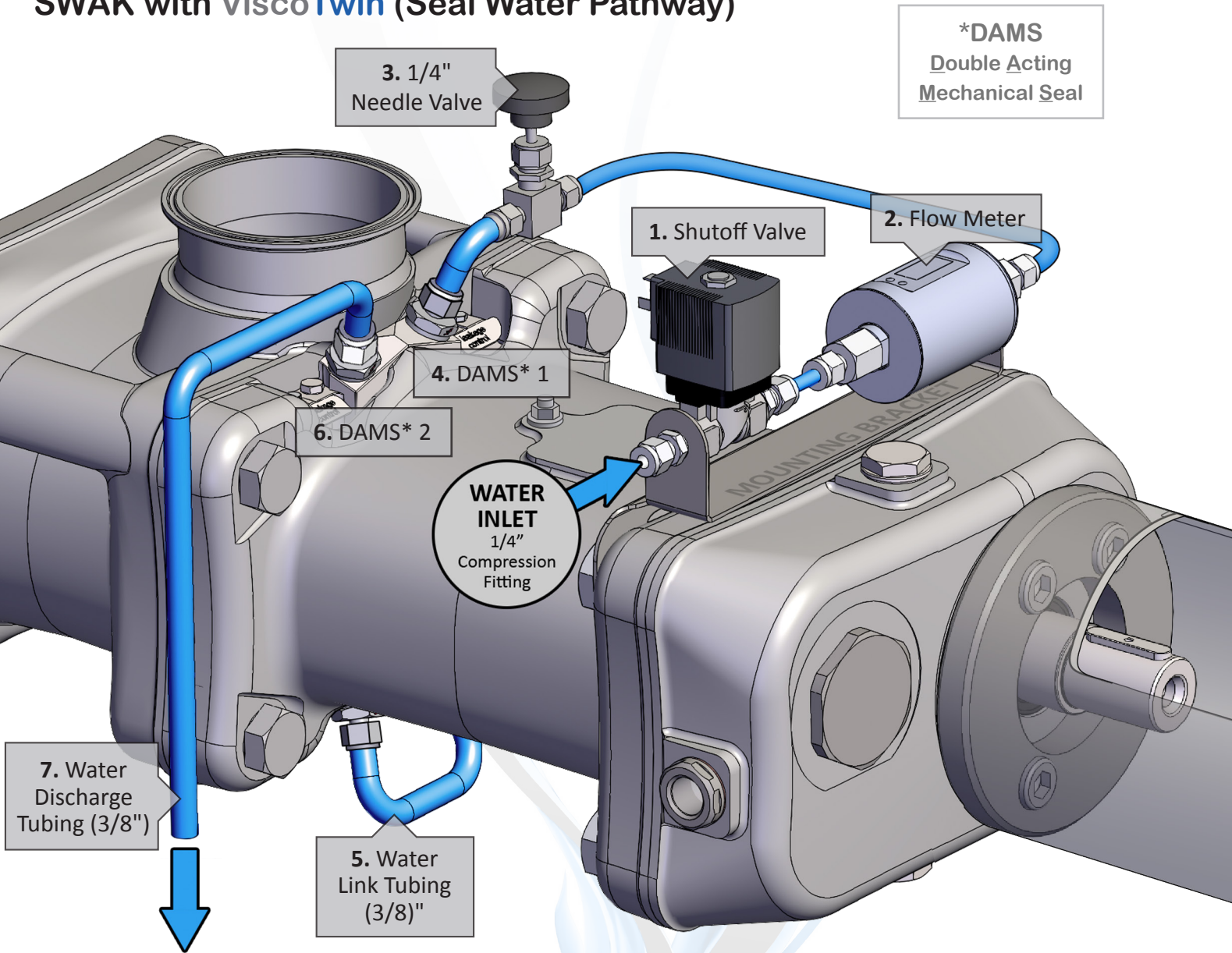


OINTMENTS



PHARMACEUTICALS

## SWAK with ViscoTwin (Seal Water Pathway)



**PROCESSTEC, Inc.**  
9938 West Legacy Ave,  
Visalia, CA 93291

**Phone:** +1 (559) 429-4227  
**Fax:** +1 (559) 429-4228

**Email:** [info@processtec.com](mailto:info@processtec.com)  
**[www.processtec.com](http://www.processtec.com)**