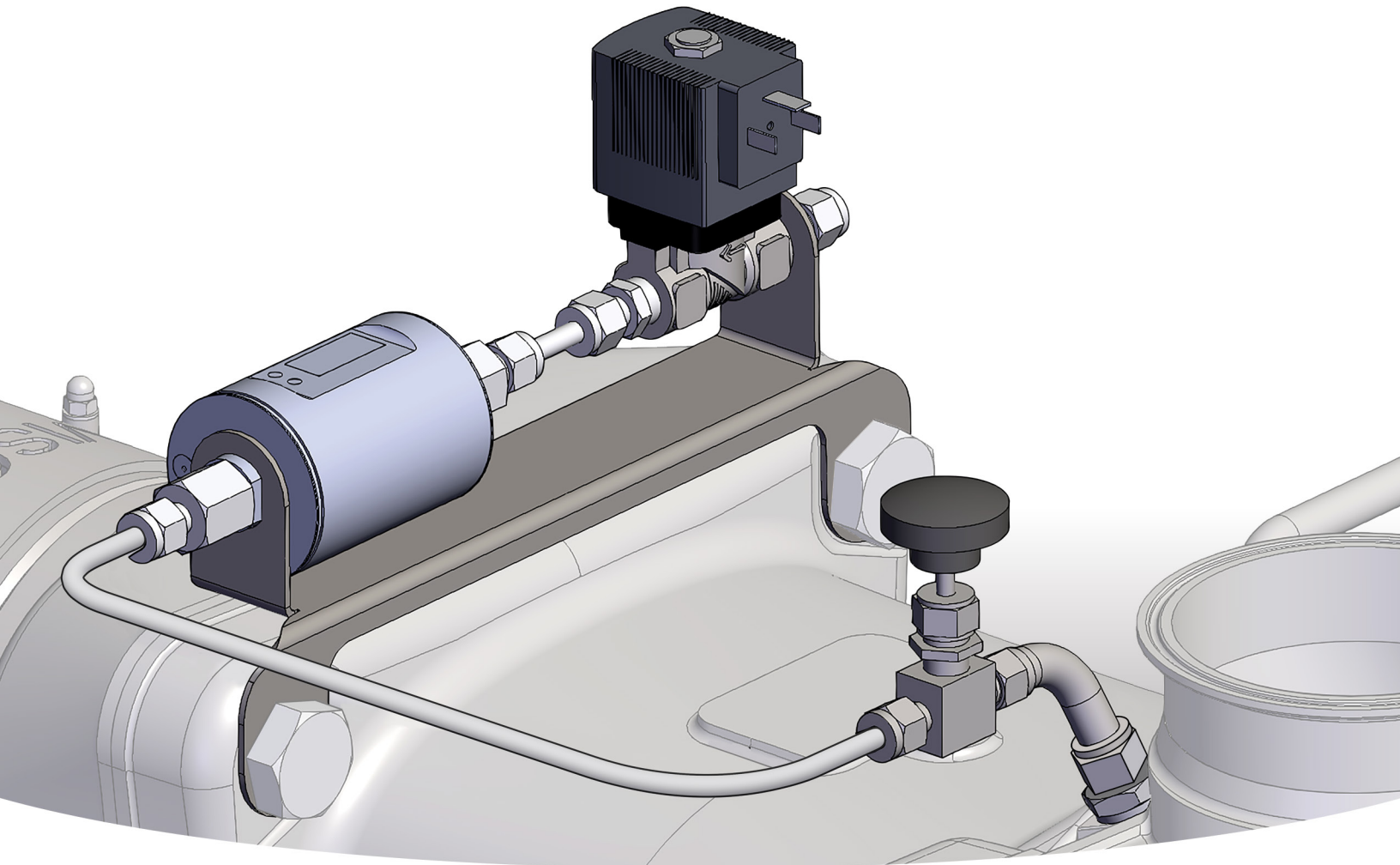


SWAK

Seal Water Automation Kit

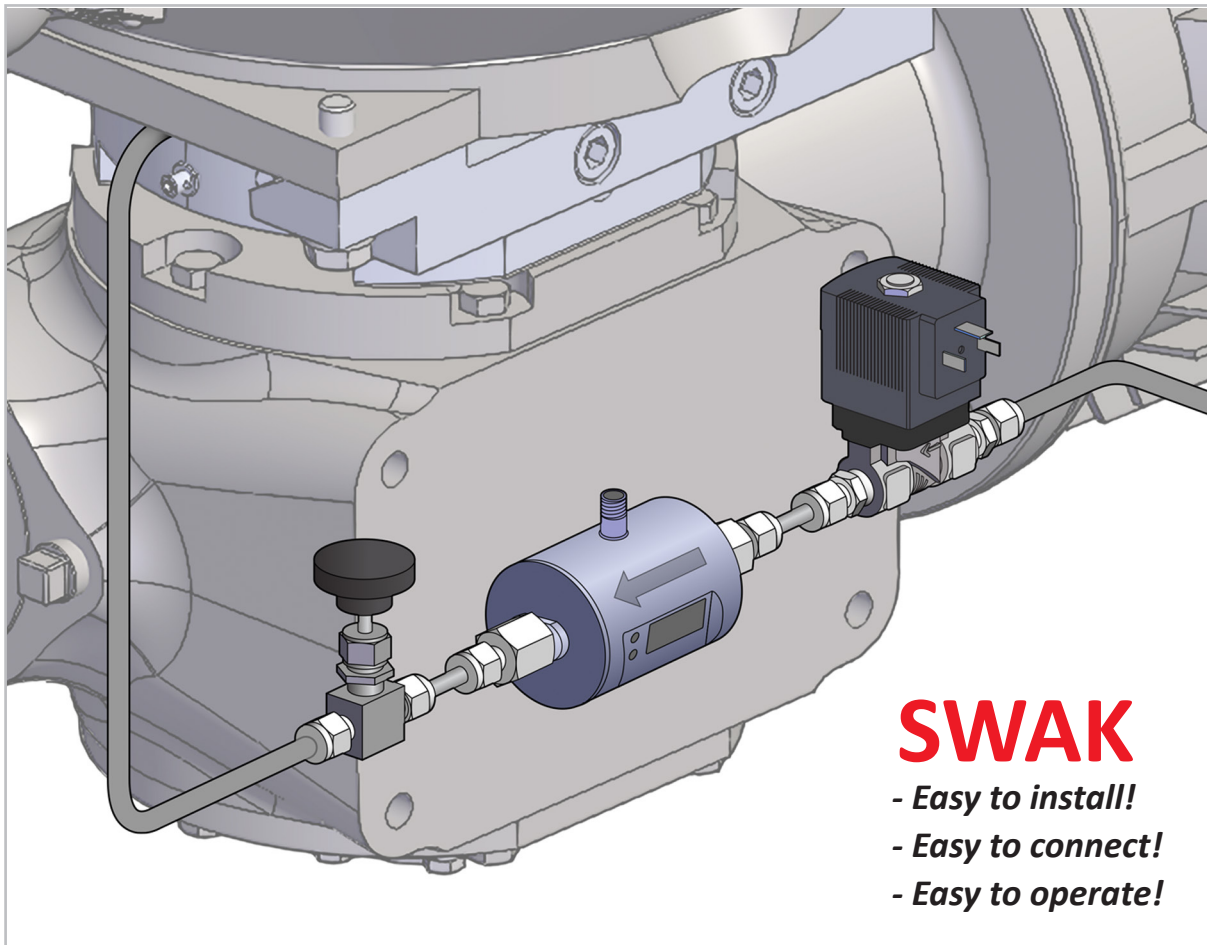
TECHNICAL BROCHURE



Seal Water Automation Kit (SWAK)

PROCESSTEC provides versatile, efficient, and easy-to-use solutions to support engineers, operators, and maintenance personnel in the integration of process equipment.

One of the very practical solutions at *PROCESSTEC* is **SWAK**, the **Seal Water Automation Kit**.

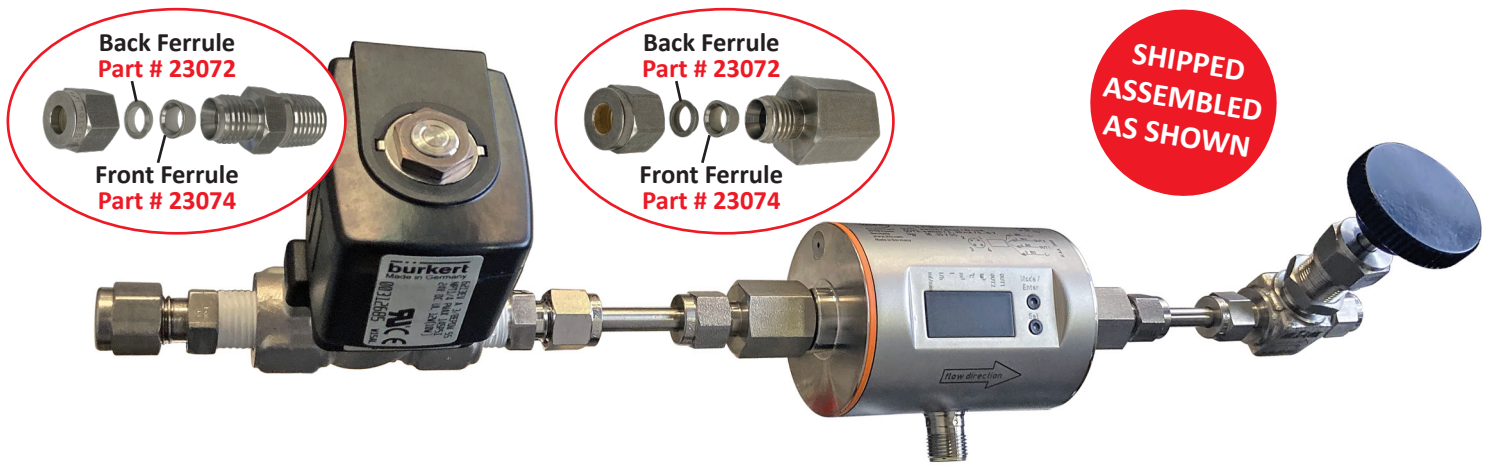


SWAK is a device that ensures proper supply of seal water for double acting mechanical seals (DAMS). It can be installed on any machinery that is equipped with DAMS such as agitators, pumps, mixers, and emulsifiers.

- PLC-controlled supply of seal water.
- Fittings, tubing, and valves are ready for plug and play installation.

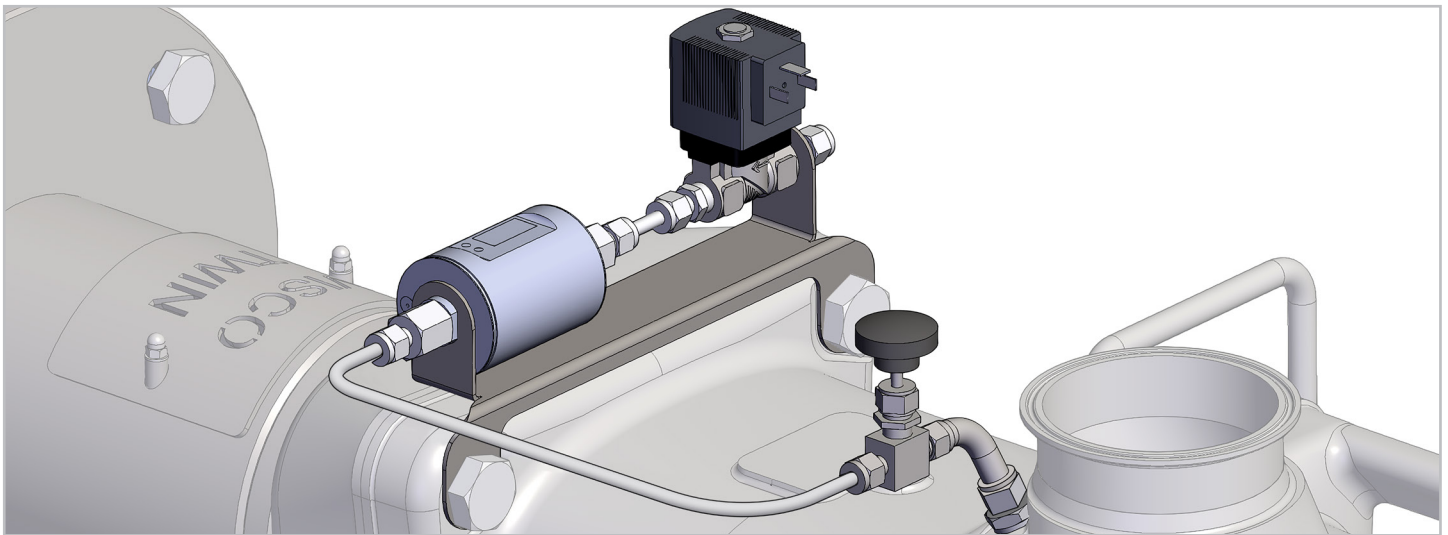
SWAK includes a tiny flow meter with a programmable set point, a solenoid or pneumatic shut-off valve, and all necessary fittings, cables, plugs and pipes in stainless steel.

Part # 22311 SWAK



Burkert Solenoid Shutoff Valve	1/4" Stainless Steel Tubing	IFM Flow Meter	1/4" Needle Valve
Automates the flow of seal water to start and stop with your DAMS.	2 pieces of 1/4" ID stainless steel tubing are included.	Monitors the volumetric flow, quantity consumed, and even seal water temperature.	Stainless steel needle valve, used with a flow meter for precise control of seal water.
Part # 21951	--	Part # 21460	Part # 10745

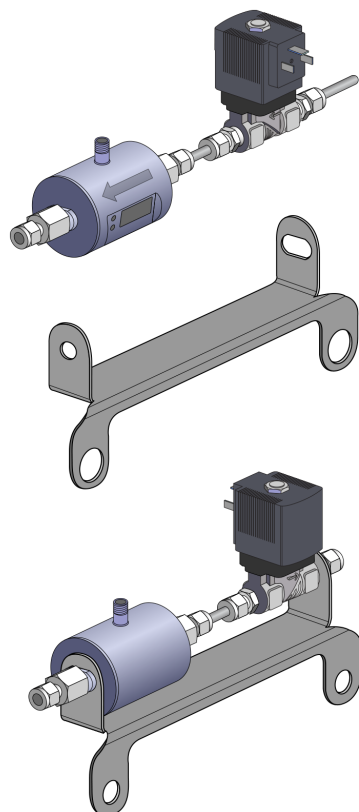
SWAK Mounting Brackets for ViscoTwin Pumps



At PROCESSTEC, we use a SWAK for our **ViscoTwin** pumps VT104-G8 and VT130-G8. This setting can be installed with or without a mounting bracket, a practical solution for individual mounting.

Practical also because:

- Should you already have a SWAK, you can upgrade it with a mounting bracket.
- The stainless intermediate tube can be adapted to the length of the bracket.
- A clamping ring for the existing compression fittings can also be supplied on request.
- SWAK brackets are available in both LEFT and RIGHT versions.



SWAK (KIT ONLY)

Part # 22311 Seal Water Automation Kit (Kit Only - No Bracket included)

MOUNTING BRACKETS ONLY

Part # 23070 Mounting Bracket for VT104 (LEFT)

Part # 23269 Mounting Bracket for VT104 (RIGHT)

Part # 23071 Mounting Bracket for VT130 (LEFT)

Part # 23270 Mounting Bracket for VT130 (RIGHT)

COMPLETE SWAK WITH MOUNTING BRACKETS

Part # 23494 SWAK with Mounting Bracket for VT104 (LEFT)

Part # 22311 SWAK with Mounting Bracket for VT104 (RIGHT)

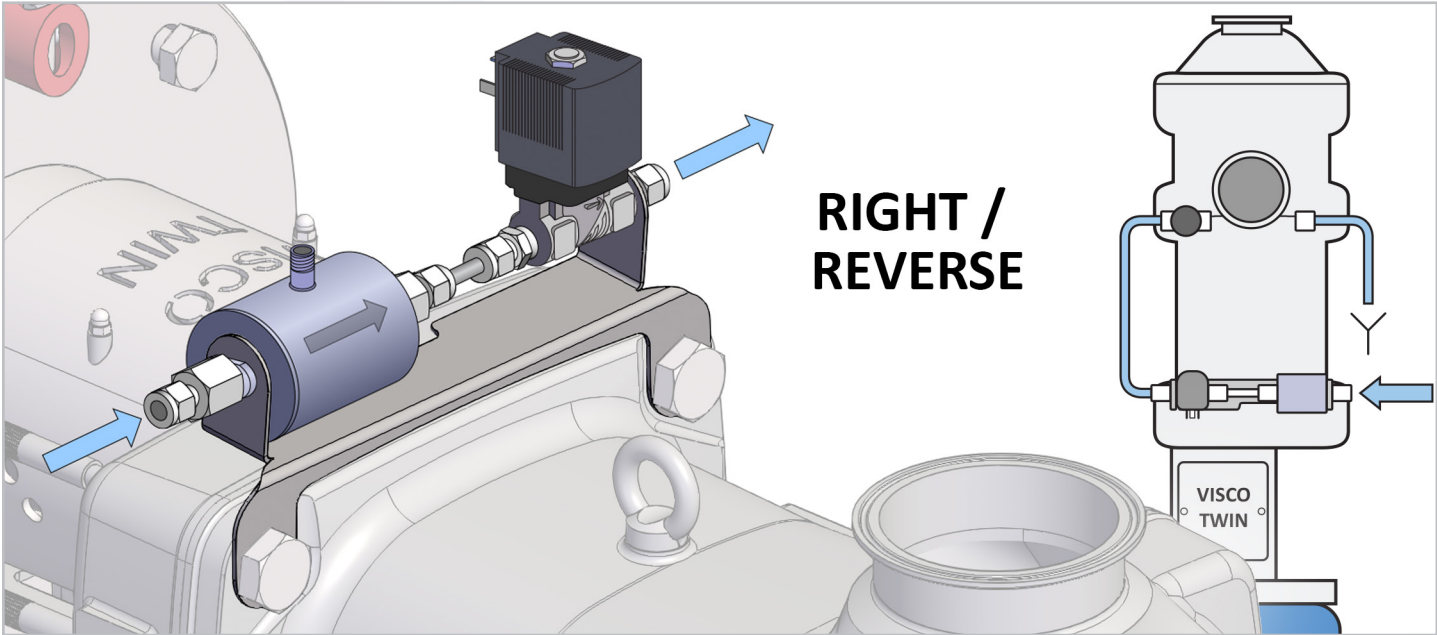
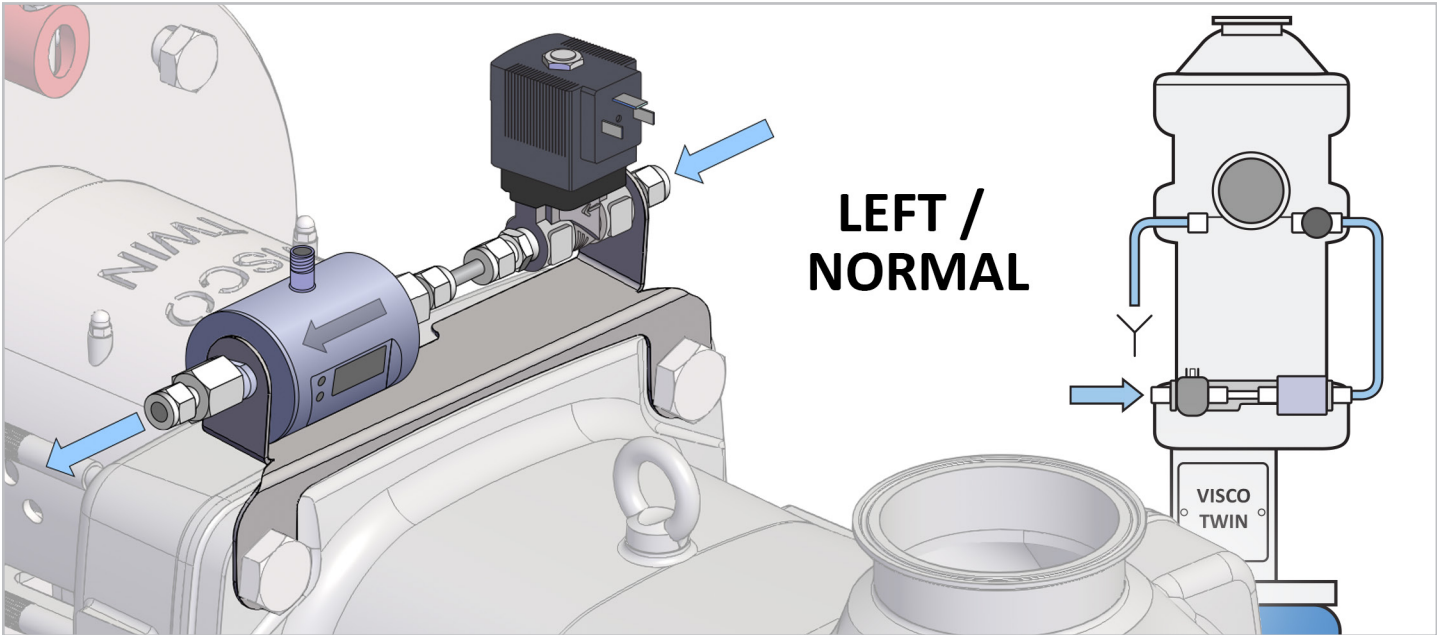
Part # 23495 SWAK with Mounting Bracket for VT130 (LEFT)

Part # 23496 SWAK with Mounting Bracket for VT130 (RIGHT)

SWAK Mounting Brackets (LEFT SIDED)

Use the SWAK Mounting Bracket to secure SWAK on your **ViscoTwin**.

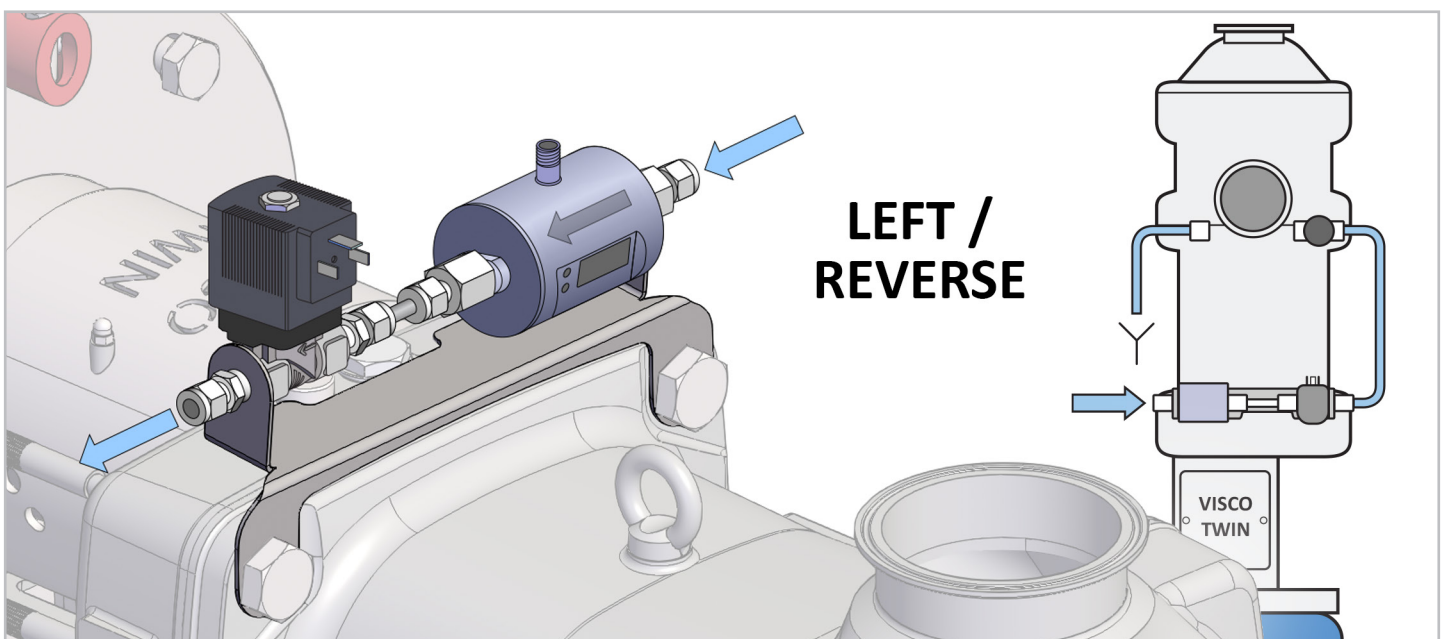
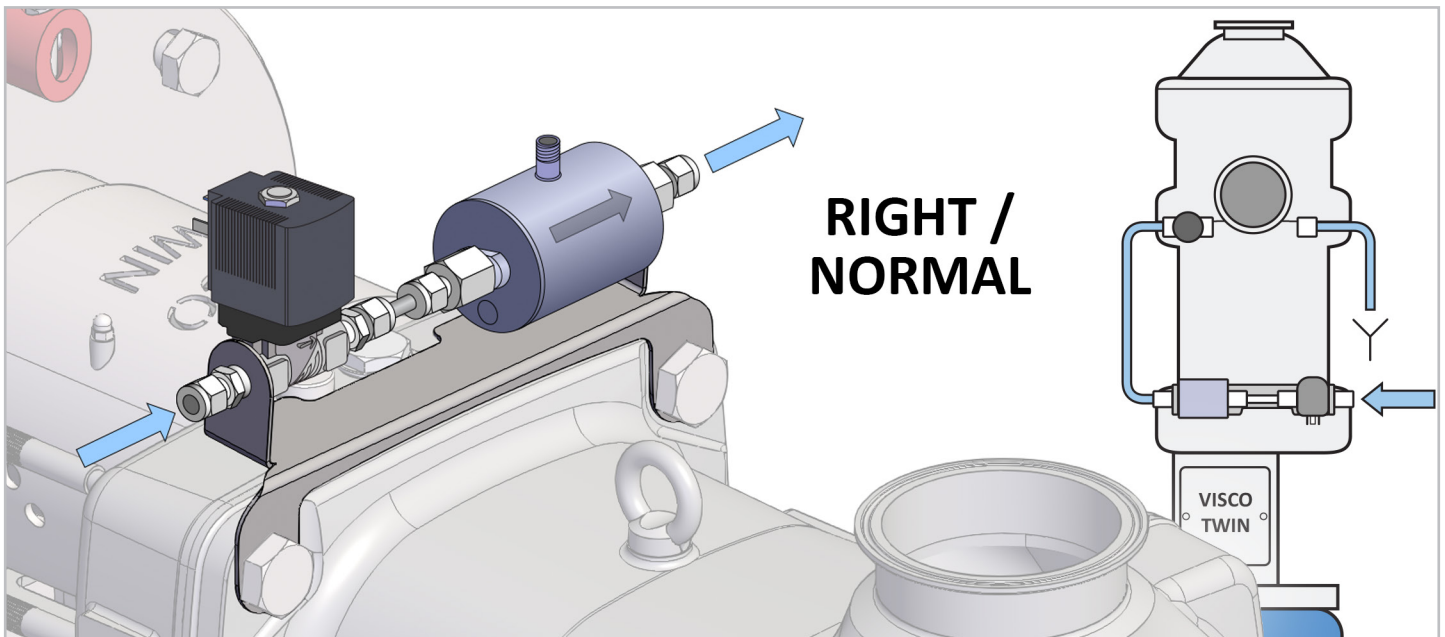
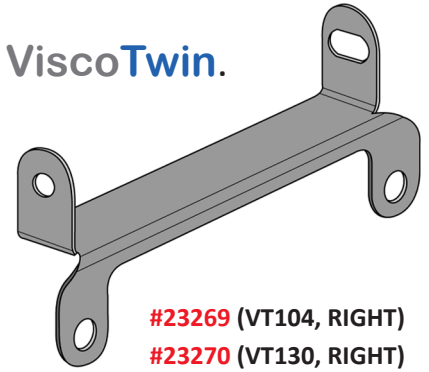
The **LEFT BRACKET** can be used on **LEFT / NORMAL** and **RIGHT / REVERSE** Configurations, as shown in the illustrations and diagrams below. Note the Light Blue Direction Arrows, indicating the direction that the Seal Water flows. Both the Flow Meter and the Solenoid Shutoff Valve will have an arrow on them to indicate flow direction as well.



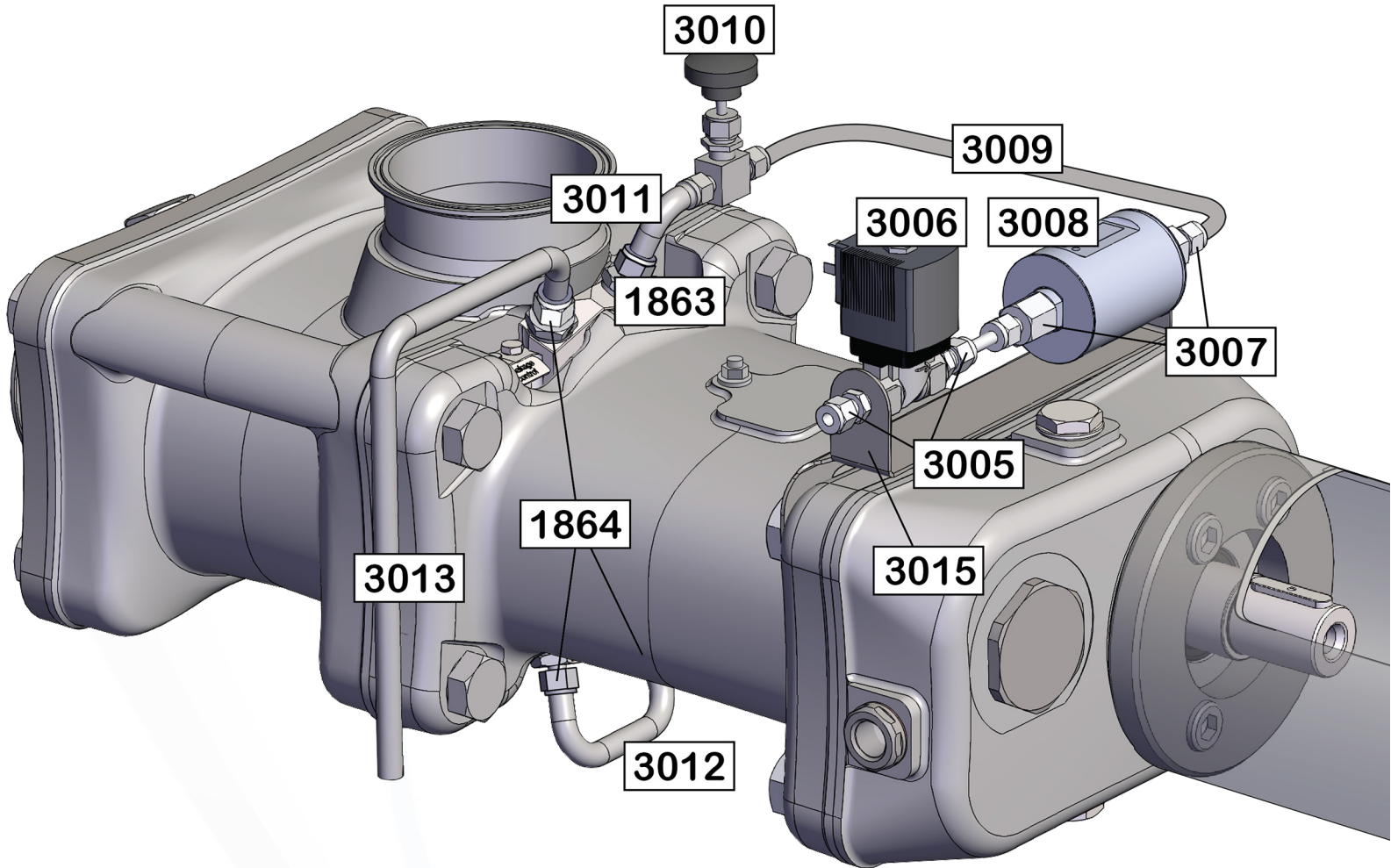
SWAK Mounting Bracket (RIGHT SIDED)

Use the SWAK Mounting Bracket to secure SWAK on your **ViscoTwin**.

The **RIGHT BRACKET** can be used on **RIGHT / NORMAL** and **LEFT / REVERSE** Configurations, as shown in the illustrations and diagrams below. Note the Light Blue Direction Arrows, indicating the direction that the Seal Water flows. Both the Flow Meter and the Solenoid Shutoff Valve will have an arrow on them to indicate flow direction as well.



SWAK Components and Spare Parts



Pos.	QTY	Part #	Name
3005	2	22206	Male Connector Straight 1/4 - 1/4_VT104, VT130_G8+, NG
3006	1	21951	6213_Burkert Solenoid Shutoff Valve
3007	2	21464	Female Connector Straight 1/4 - 1/4_VT104, VT130_G8+, NG
3008	1	21460	SM4100_IFM Flow Meter
3009	1	23393	Seal Water_Mounting Bracket Tubing_VT104_G8+, NG
3009	1	23394	Seal Water_Mounting Bracket Tubing_VT130_G8+, NG
3010	1	10745	SS-1 Needle Valve
3011	1	22014	Seal Water_Water Supply Tubing_VT70, VT104, VT130_G8+, NG
3012	1	22015	Seal Water_Water Link Tubing_VT70, VT104, VT130_G8+, NG
3013	1	22017	Seal Water_Water Discharge Tubing_VT70, VT104, VT130_G8+, NG
3015		23070	Seal Water_Mounting Bracket_Left_VT104_G8+, NG
3015	1	23269	Seal Water_Mounting Bracket_Right_VT104_G8+, NG
3015		23071	Seal Water_Mounting Bracket_Left_VT130_G8+, NG
3015		23270	Seal Water_Mounting Bracket_Right_VT130_G8+, NG
1863	1	21690	Male Connector Straight 3/8 - 1/4_VT104, VT130_G8+, NG
1864	3	21689	Male Connector Straight 3/8 - 3/8_VT104, VT130_G8+, NG

Some of the Industries We Serve



DAIRY



JUICES



FRUITS



PERSONAL CARE



TOMATO



BEVERAGES



SAUCES



INFANT FORMULA



PROCESSED FOODS



PROCESSED MEAT



BAKERY



CONFECTIONERY



PASTRIES



OILS



FRAGRANCE



CHEMICALS



PAINTS



VARNISHES

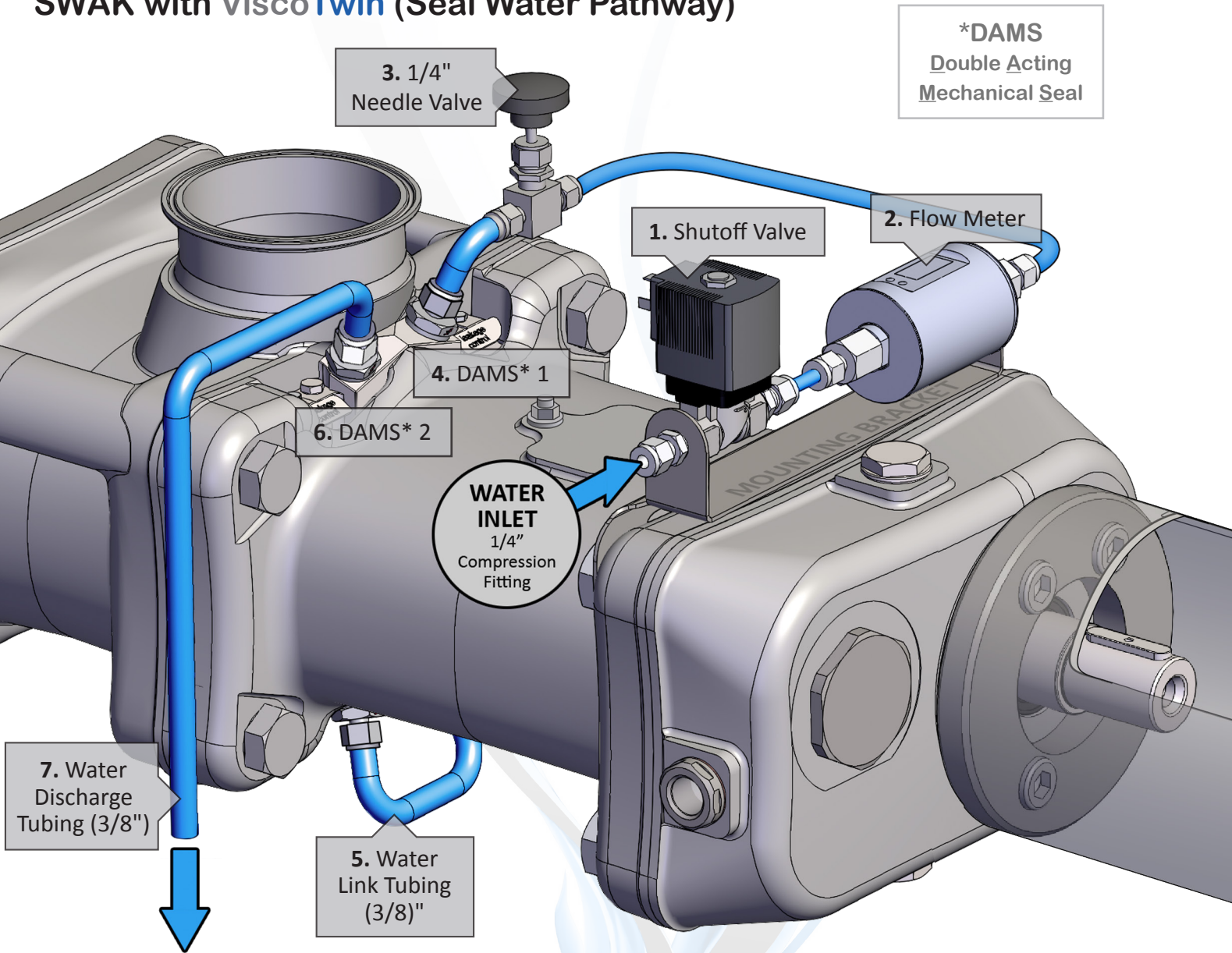


OINTMENTS



PHARMACEUTICALS

SWAK with ViscoTwin (Seal Water Pathway)



Processtec, Inc.

345 E Tulare Ave. Unit E
Visalia, CA 93277

Phone: +1 (559) 429-4227

Fax: +1 (559) 429-4228

Email: info@processtec.com

www.processtec.com