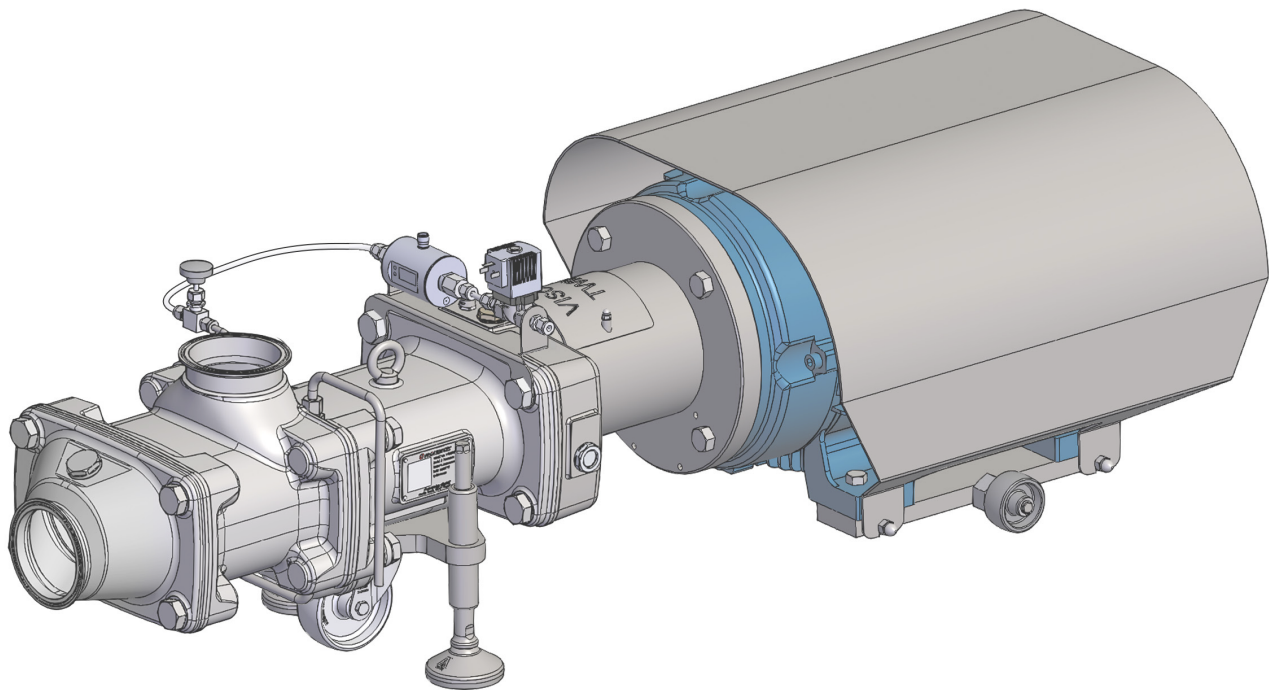


SPARE PARTS

Frame #6

F6



 **PROCESSTEC**
GET TOMORROW'S TECHNOLOGY TODAY

processtec.com
info@processtec.com

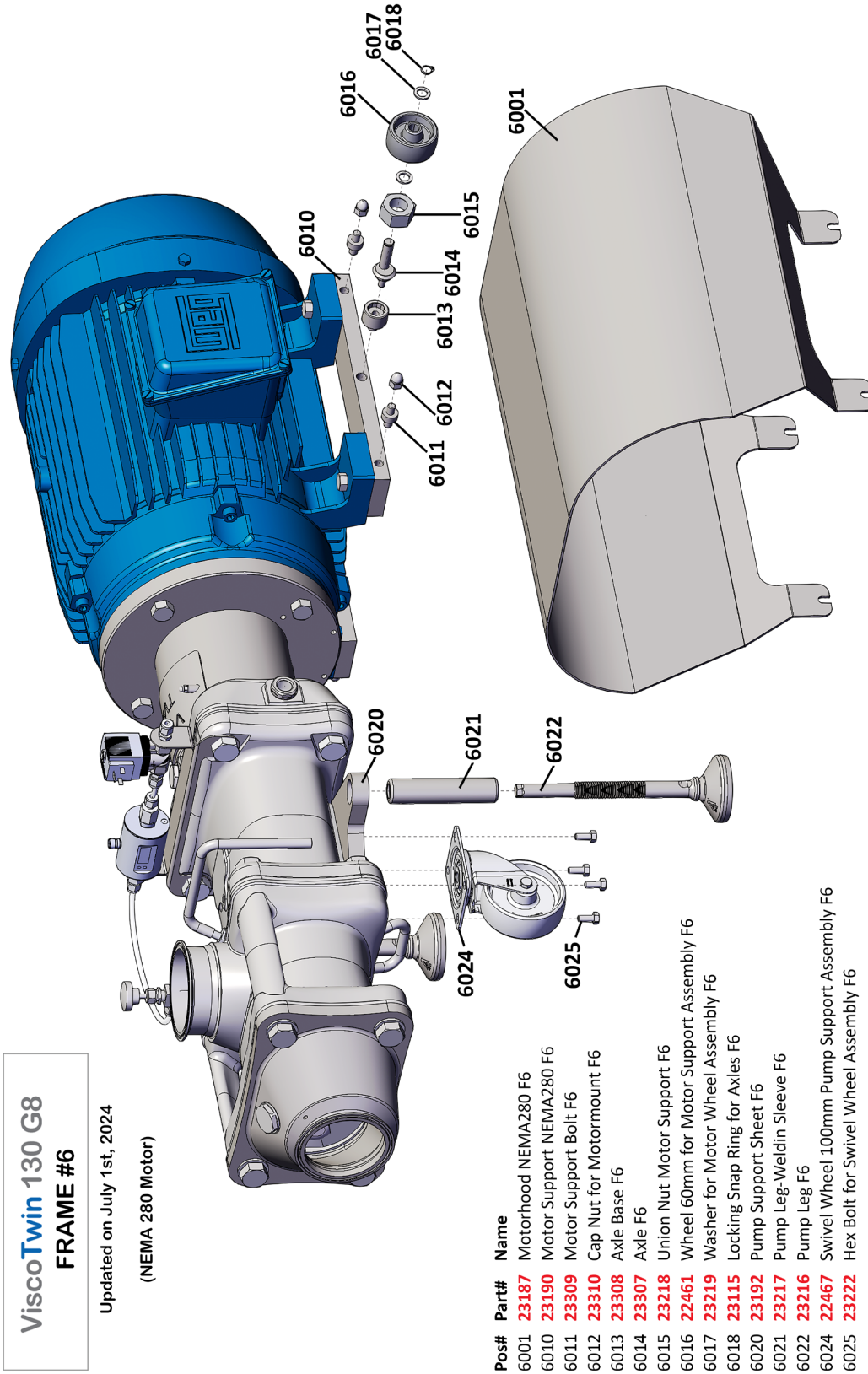
9938 W Legacy Ave
Visalia, CA 93291
Phone +1 (559) 429 - 4227
Fax +1 (559) 429 - 4228

1. EXPLOSION DRAWING Frame #6: VT130 3

2. EXPLOSION DRAWING Frame #6: VT104 4

3. SPARE PARTS: FRAME #6 5

1. EXPLOSION DRAWING Frame #6: VT130



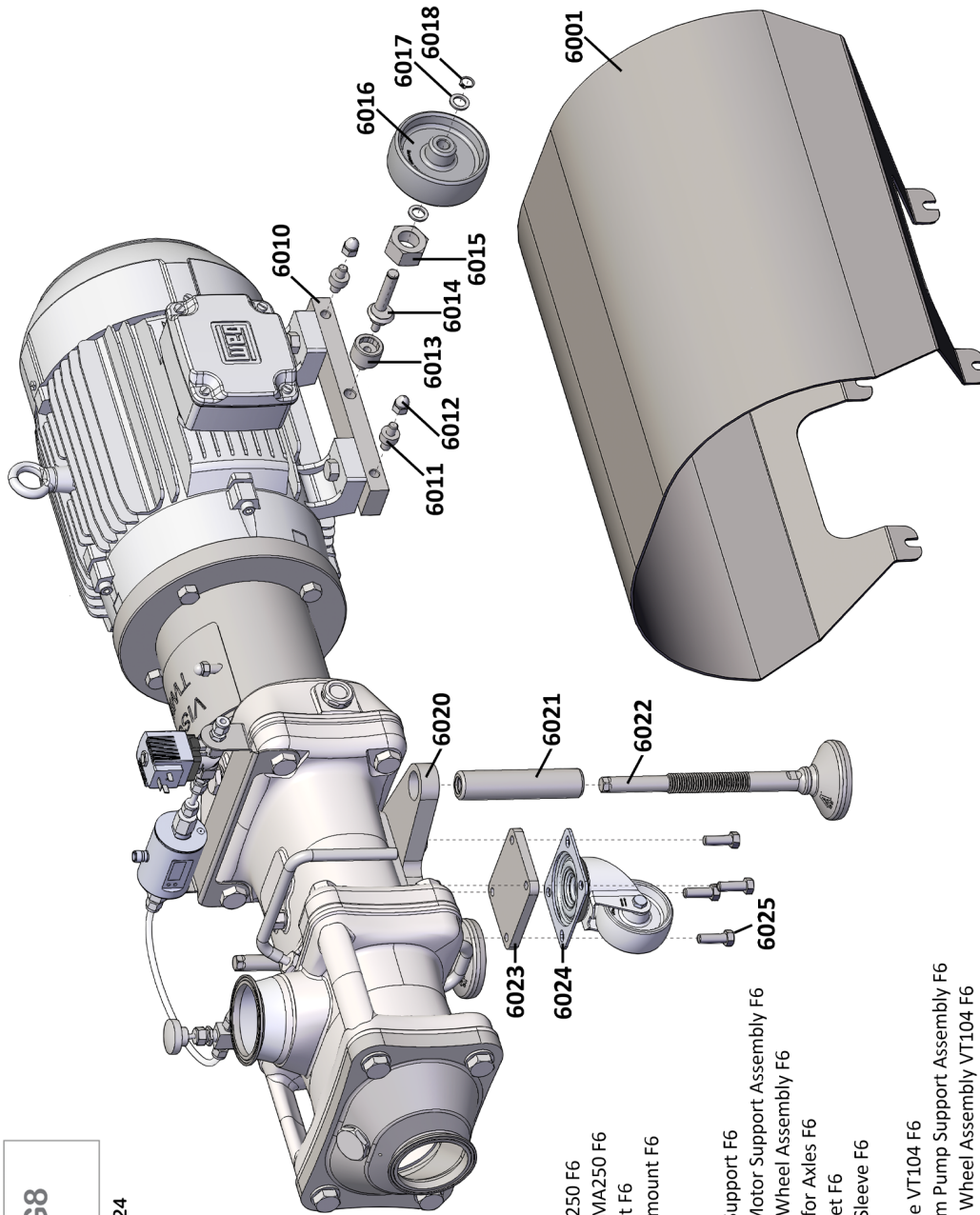
ViscoTwin 130 G8
FRAME #6

Updated on July 1st, 2024

(NEMA 280 Motor)

Pos#	Part#	Name
6001	23187	Motorhood NEMA280 F6
6010	23190	Motor Support NEMA280 F6
6011	23309	Motor Support Bolt F6
6012	23310	Cap Nut for Motormount F6
6013	23308	Axle Base F6
6014	23307	Axle F6
6015	23218	Union Nut Motor Support F6
6016	22461	Wheel 60mm for Motor Support Assembly F6
6017	23219	Washer for Motor Wheel Assembly F6
6018	23115	Locking Snap Ring for Axles F6
6020	23192	Pump Support Sheet F6
6021	23217	Pump Leg-Weidin Sleeve F6
6022	23216	Pump Leg F6
6024	22467	Swivel Wheel 100mm Pump Support Assembly F6
6025	23222	Hex Bolt for Swivel Wheel Assembly F6

2. EXPLOSION DRAWING Frame #6: VT104

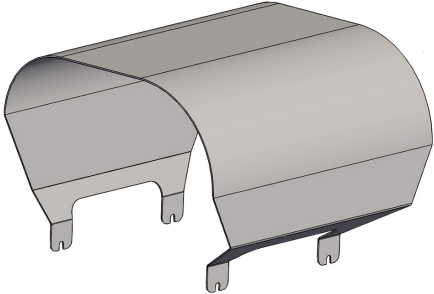


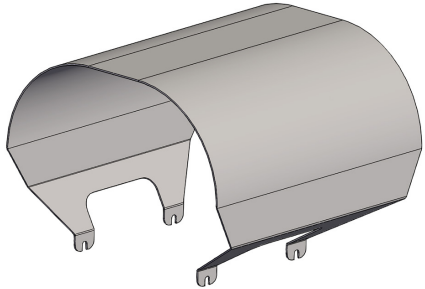
ViscoTwin 104 G8
FRAME #6

Updated on July 1st, 2024
(NEMA 250 Motor)


Pos#	Part#	Name
6001	23188	Motorhood NEMA250 F6
6010	23189	Motor Support NEMA250 F6
6011	23309	Motor Support Bolt F6
6012	23310	Cap Nut for Motormount F6
6013	23308	Axle Base F6
6014	23307	Axle F6
6015	23218	Union Nut Motor Support F6
6016	22461	Wheel 60mm for Motor Support Assembly F6
6017	23219	Washer for Motor Wheel Assembly F6
6018	23115	Locking Snap Ring for Axles F6
6020	23192	Pump Support Sheet F6
6021	23217	Pump Leg-Weidin Sleeve F6
6022	23216	Pump Leg F6
6023	23191	Pump Support Plate VT104 F6
6024	22466	Swivel Wheel 75mm Pump Support Assembly F6
6025	23221	Hex Bolt for Swivel Wheel Assembly VT104 F6


3. SPARE PARTS: FRAME #6


FRAME #6 VT130	F6 Motorhood NEMA280	POS. 6001
PART #	23187	
CUSTOMER REFERENCE #		
MATERIAL	--	
SPECS	--	
NOTES	for VT130	


FRAME #6 VT104	F6 Motorhood NEMA250	POS. 6001
PART #	23188	
CUSTOMER REFERENCE #		
MATERIAL	--	
SPECS	--	
NOTES	for VT104	


FRAME #6 VT104	F6 Motor Support NEMA250	POS. 6010
PART #	23189	
CUSTOMER REFERENCE #		
MATERIAL	--	
SPECS	--	
NOTES	for VT104	

FRAME #6	F6 Motor Support Bolt	POS. 6011
PART #	23309	
CUSTOMER REFERENCE #		
MATERIAL	--	
SPECS	--	
NOTES	--	


FRAME #6	F6 Cap Nut for Motormount	POS. 6012
PART #	23310	
CUSTOMER REFERENCE #		
MATERIAL	316	
SPECS	--	
NOTES	--	


FRAME #6	F6 Axle Base	POS. 6013
PART #	23308	
CUSTOMER REFERENCE #		
MATERIAL	--	
SPECS	--	
NOTES	--	

FRAME #6	F6 Axle	POS. 6014
PART #	23307	
CUSTOMER REFERENCE #		
MATERIAL	--	
SPECS	--	
NOTES	--	

FRAME #6	F6 Union Nut Motor Support	POS. 6015
PART #	23218	
CUSTOMER REFERENCE #		
MATERIAL	SS	
SPECS	--	
NOTES	--	


FRAME #6	F6 Wheel 60mm for Motor Support Assembly	POS. 6016
PART #	22461	
CUSTOMER REFERENCE #		
MATERIAL	PA6	
SPECS	--	
NOTES	--	

FRAME #4	F6 Washer for Motor Wheel Assembly	POS. 6017
PART #	23219	
CUSTOMER REFERENCE #		
MATERIAL	SS	
SPECS	--	
NOTES	--	

FRAME #4	F6 Lock Snap Ring for Axles	POS. 6018
PART #	23115	
CUSTOMER REFERENCE #		
MATERIAL	--	
SPECS	11.5 x 1mm for OD 12mm	
NOTES	--	

FRAME #4	F6 Pump Leg	POS. 6022
PART #	23216	
CUSTOMER REFERENCE #		
MATERIAL	304	
SPECS	Thread Size M 20-2.5, Max Height 145mm, Min Height 109mm	
NOTES	--	

FRAME #6 VT130	F6 Swivel Wheel 100mm Pump Support Assembly	POS. 6024
PART #	22467	
CUSTOMER REFERENCE #		
MATERIAL	304/PA6	
SPECS	--	
NOTES	for VT130	

FRAME #6 VT104	F6 Swivel Wheel 75mm Pump Support Assembly	POS. 6024
PART #	22466	
CUSTOMER REFERENCE #		
MATERIAL	304/PA6	
SPECS	--	
NOTES	for VT104	

FRAME #6 VT130	F6 Hex Bolt for Swivel Wheel Assembly VT130	POS. 6025
PART #	23222	
CUSTOMER REFERENCE #		
MATERIAL	316	
SPECS	M8 x 1.25 - 18mm, fully threaded	
NOTES	doe VT130	

FRAME #4	F6 Hex Bolt for Swivel Wheel Assembly VT104	POS. 6025
PART #	23221	
CUSTOMER REFERENCE #		
MATERIAL	316	
SPECS	M8 x 1.25 - 35mm, fully threaded	
NOTES	for VT104	