

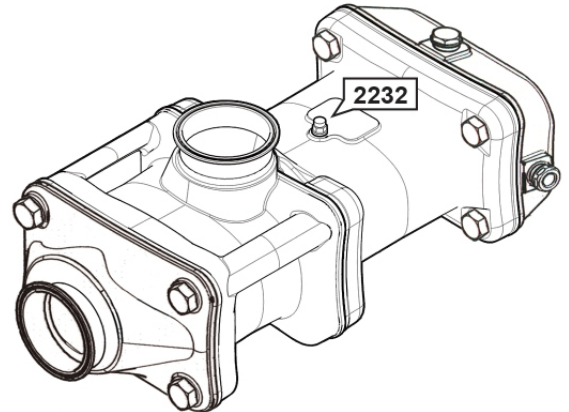
### 5.5 Pump Housing Configuration

Each 104G8 / 130G8 **ViscoTwin** Pump Housing can be set up for a variety of configuration options to suit particular application.

Each Configuration has been uniquely identified with a series of letters and numbers that call out the specific flow direction, shaft rotation, pin positions and spindle arrangements to get the desired output.

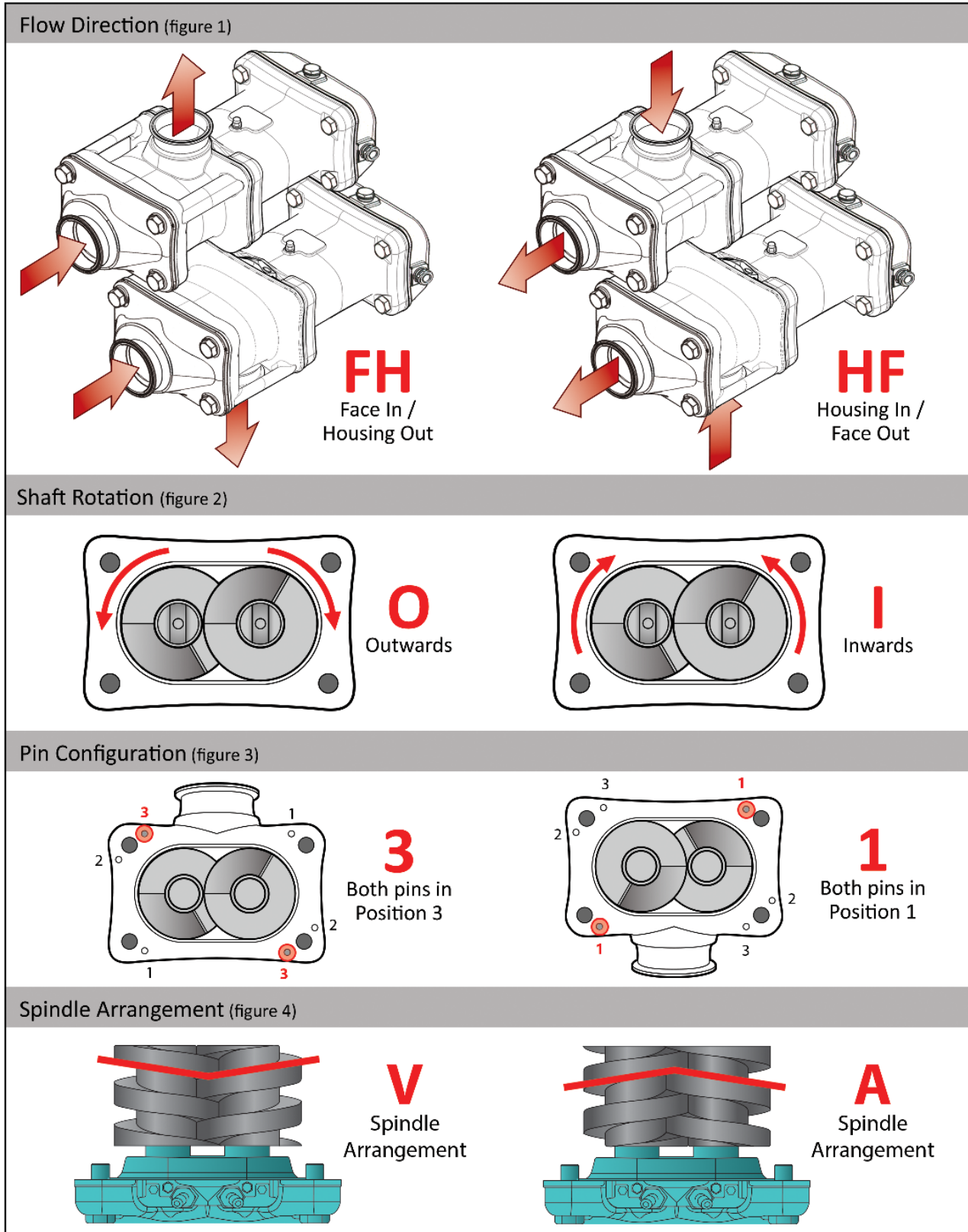
For example, a FHO3V configuration means that the Flow Direction is Face In/Housing Out (FH), Shaft Rotation is Outward (O). Pin Position is Configuration 3 (3) with Spindle Arrangement V (V).

There are SIX possible configurations, and each one is listed in the chart below, as well on the following pages. The default configuration is FHO3V.



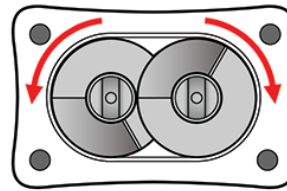
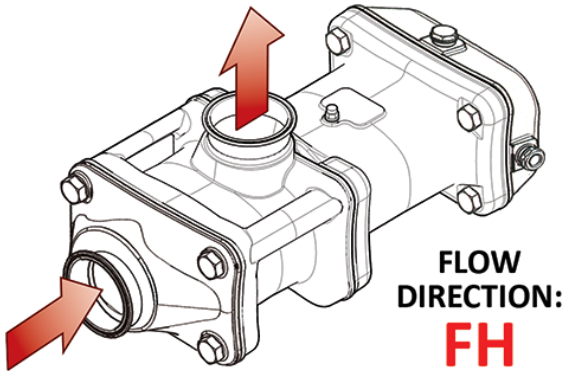
The TOP of the pump is always determined by the location of the VENT Plug (Pos. 2232) on the Bearing Housing, regardless of the Pump Housing orientation and the final position of the Pump.

Configuration Name	Flow Direction	Spindle Rotation	Pin Position	Spindle Arrangement	Comments
<b>FHO3V</b>	Face In / Housing Out	Outwards	3	V	Product dragged along the bottom
<b>FHI1A</b>	Face In / Housing Out	Inwards	1	A	Product dragged along the top
<b>HFI1V</b>	Housing In / Face Out	Inwards	1	V	Product dragged along the top
<b>HFO3A</b>	Housing In / Face Out	Outwards	3	A	Product dragged along the bottom
<b>BDB2V</b>	Bi-Directional	Bi-Directional	2	V	Limited Viscosity Tapered Spindles Preferred
<b>BDB2A</b>	Bi-Directional	Bi-Directional	2	A	Limited Viscosity Tapered Spindles Preferred

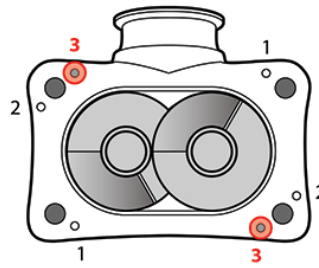


## FHO3V(T)

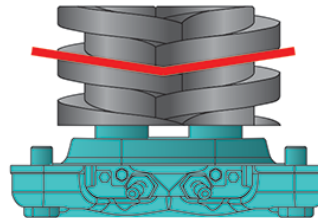
FH - Face In / Housing Out  
O - Outwards  
3 - Pin Position 3  
V - Spindle Arrangement V  
T - Top



SHAFT ROTATION:  
**OUTWARDS**  
requires clearance on the top



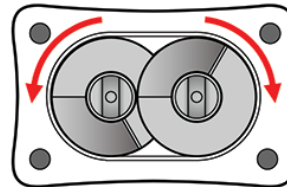
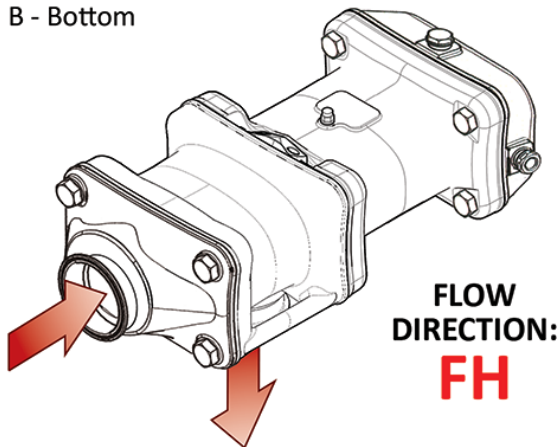
PIN CONFIGURATION:  
**3**  
delivers clearance on the top



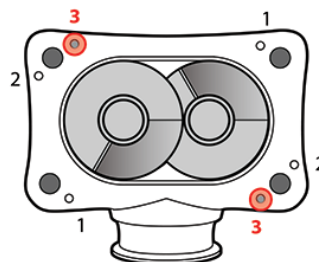
SPINDLE  
ARRANGEMENT:  
**V**

## FHO3V(B)

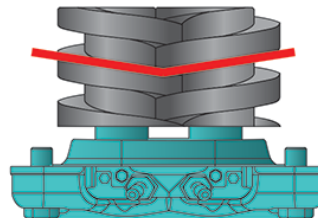
FH - Face In / Housing Out  
O - Outwards  
3 - Pin Position 3  
V - Spindle Arrangement V  
B - Bottom



SHAFT ROTATION:  
**OUTWARDS**  
requires clearance on the top



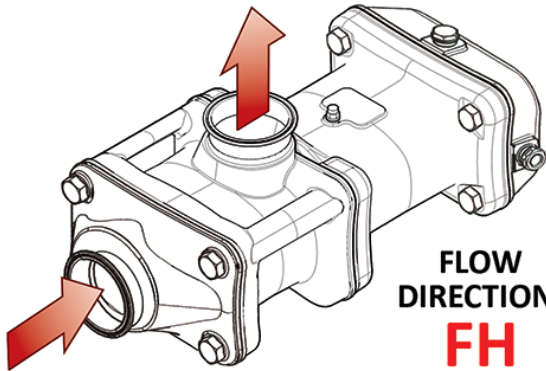
PIN CONFIGURATION:  
**3**  
delivers clearance on the top



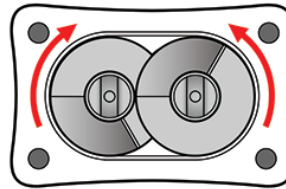
SPINDLE  
ARRANGEMENT:  
**V**

## FHI1A(T)

FH - Face In / Housing Out  
I - Inwards  
1 - Pin Position 1  
A - Spindle Arrangement A  
T - Top



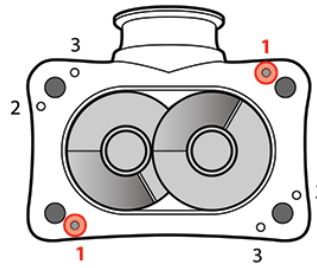
**FLOW DIRECTION:**  
**FH**



**SHAFT ROTATION:**

**INWARDS**

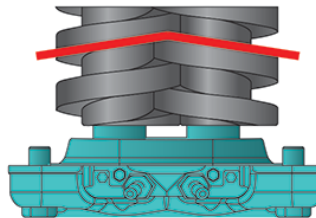
requires clearance on bottom



**PIN CONFIGURATION:**

**1**

delivers clearance on bottom

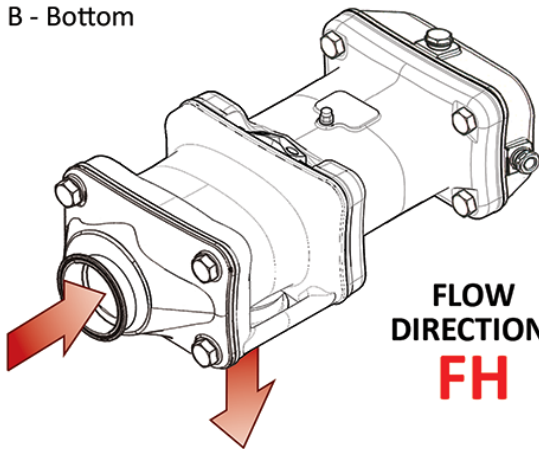


**SPINDLE ARRANGEMENT:**

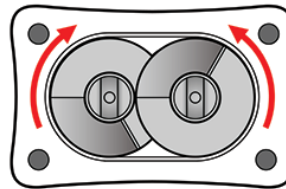
**A**

## FHI1A(B)

FH - Face In / Housing Out  
I - Inwards  
1 - Pin Position 1  
A - Spindle Arrangement A  
B - Bottom



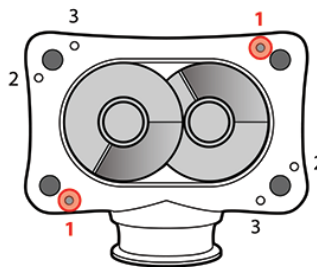
**FLOW DIRECTION:**  
**FH**



**SHAFT ROTATION:**

**INWARDS**

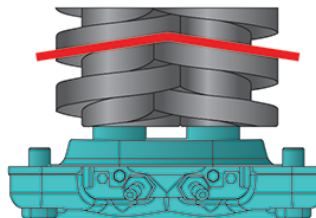
requires clearance on bottom



**PIN CONFIGURATION:**

**1**

delivers clearance on bottom

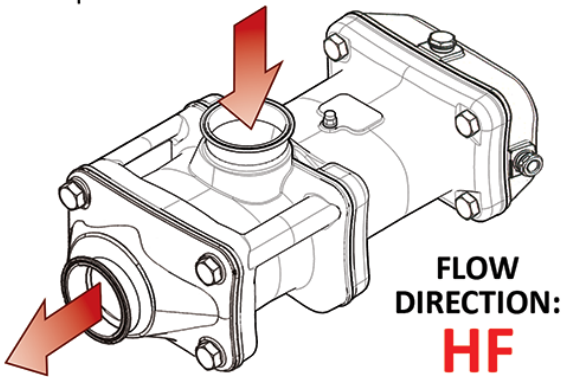


**SPINDLE ARRANGEMENT:**

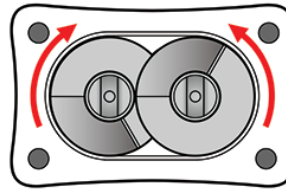
**A**

## HFI1V (T)

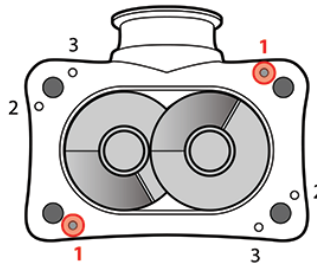
HF - Housing In / Face Out  
I - Inwards  
1 - Pin Position 1  
V - Spindle Arrangement V  
T - Top



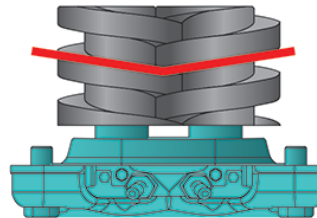
**FLOW DIRECTION:**  
**HF**



**SHAFT ROTATION:**  
**INWARDS**  
requires clearance on bottom



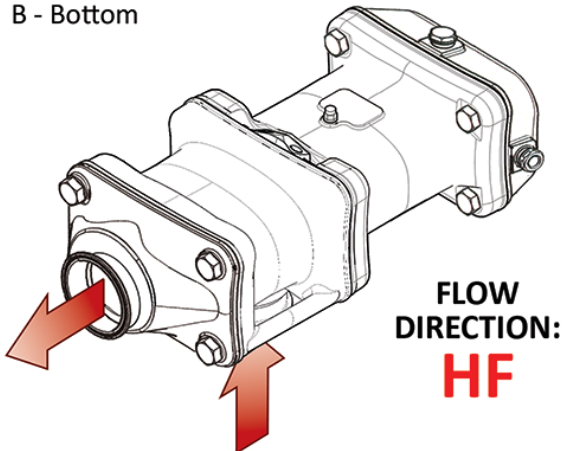
**PIN CONFIGURATION:**  
**1**  
delivers clearance on bottom



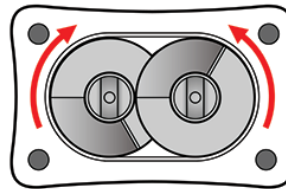
**SPINDLE ARRANGEMENT:**  
**V**

## HFI1V (B)

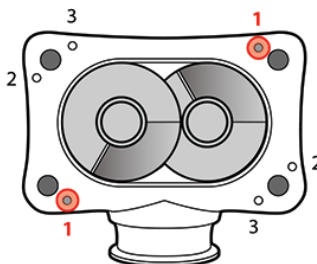
HF - Housing In / Face Out  
I - Inwards  
1 - Pin Position 1  
V - Spindle Arrangement V  
B - Bottom



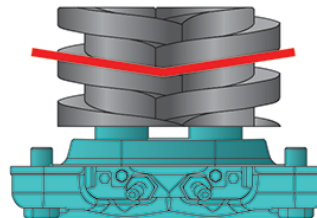
**FLOW DIRECTION:**  
**HF**



**SHAFT ROTATION:**  
**INWARDS**  
requires clearance on bottom



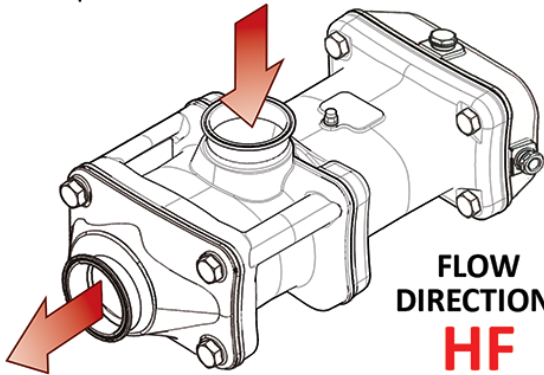
**PIN CONFIGURATION:**  
**1**  
delivers clearance on bottom



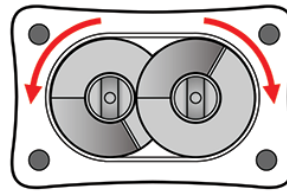
**SPINDLE ARRANGEMENT:**  
**V**

## HFO3A (T)

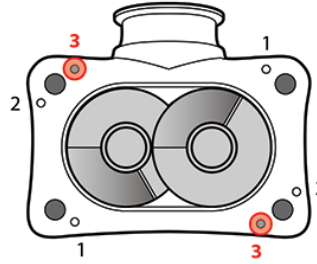
HF - Housing In / Face Out  
O - Outwards  
3 - Pin Position 3  
A - Spindle Arrangement A  
T - Top



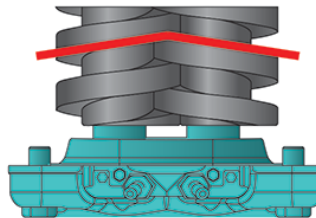
**FLOW DIRECTION:**  
**HF**



**SHAFT ROTATION:**  
**OUTWARDS**  
requires clearance on the top



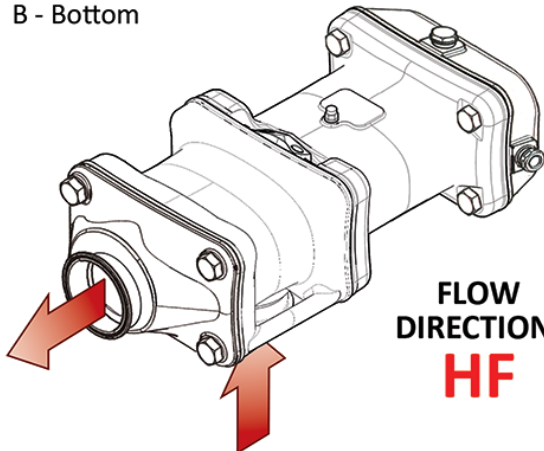
**PIN CONFIGURATION:**  
**3**  
delivers clearance on the top



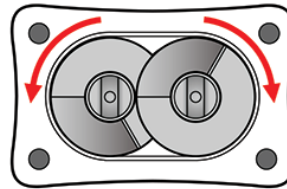
**SPINDLE ARRANGEMENT:**  
**A**

## HFO3A (B)

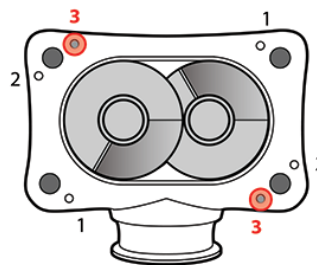
HF - Housing In / Face Out  
O - Outwards  
3 - Pin Position 3  
A - Spindle Arrangement A  
B - Bottom



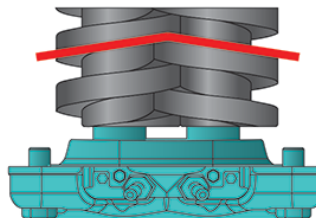
**FLOW DIRECTION:**  
**HF**



**SHAFT ROTATION:**  
**OUTWARDS**  
requires clearance on the top



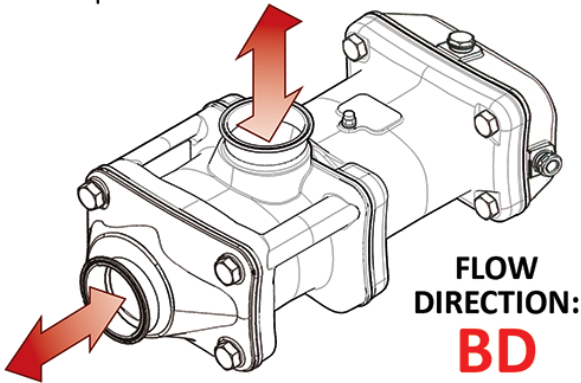
**PIN CONFIGURATION:**  
**3**  
delivers clearance on the top



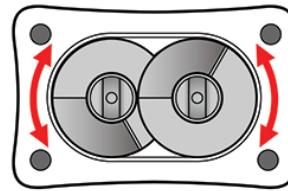
**SPINDLE ARRANGEMENT:**  
**A**

## BDB2V (T)

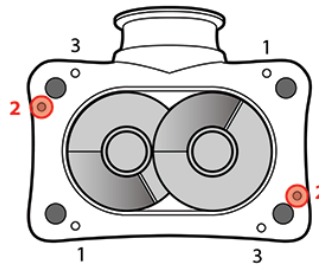
BD - Bi-Directional  
B - Bi-Directional  
2 - Pin Position 2  
V - Spindle Arrangement V  
T - Top



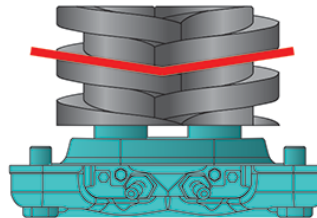
FLOW  
DIRECTION:  
**BD**



SHAFT ROTATION:  
**BI-DIRECTIONAL**  
evenly distributed clearance



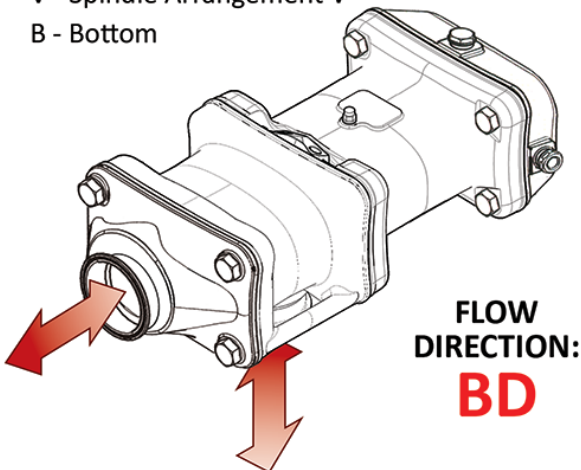
PIN CONFIGURATION:  
**2**  
evenly distributed clearance



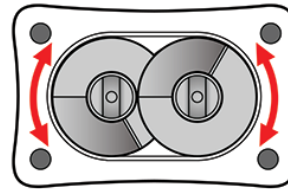
SPINDLE  
ARRANGEMENT:  
**V**

## BDB2V (B)

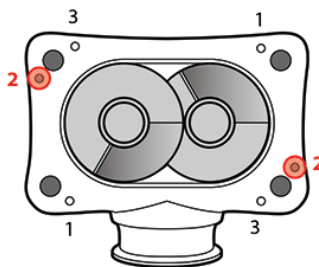
BD - Bi-Directional  
B - Bi-Directional  
2 - Pin Position 2  
V - Spindle Arrangement V  
B - Bottom



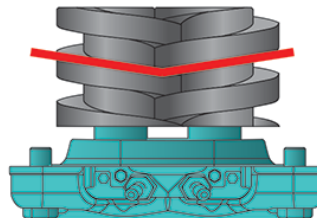
FLOW  
DIRECTION:  
**BD**



SHAFT ROTATION:  
**BI-DIRECTIONAL**  
evenly distributed clearance



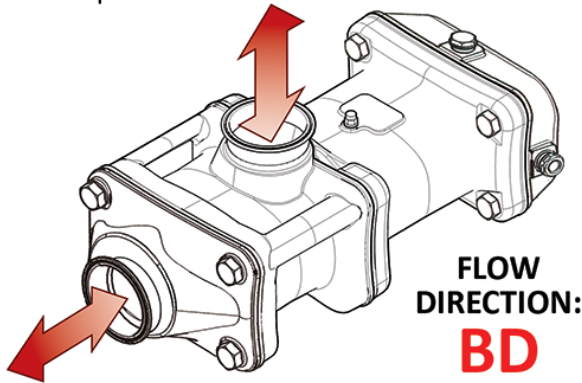
PIN CONFIGURATION:  
**2**  
evenly distributed clearance



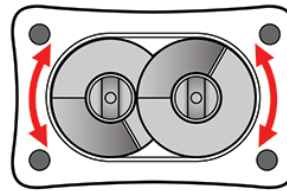
SPINDLE  
ARRANGEMENT:  
**V**

## BDB2A (T)

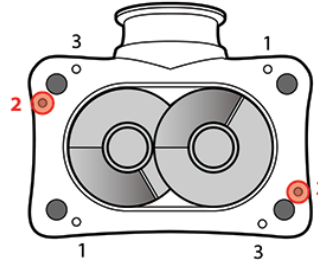
BD - Bi-Directional  
B - Bi-Directional  
2 - Pin Position 2  
A - Spindle Arrangement A  
T - Top



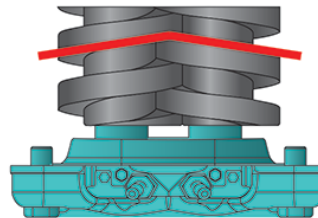
**FLOW DIRECTION:**  
**BD**



**SHAFT ROTATION:**  
**BI-DIRECTIONAL**  
evenly distributed clearance



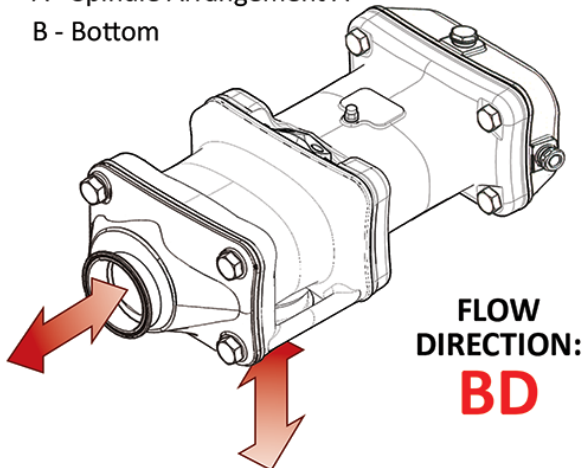
**PIN CONFIGURATION:**  
**2**  
evenly distributed clearance



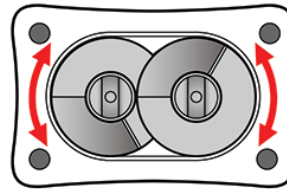
**SPINDLE ARRANGEMENT:**  
**A**

## BDB2A (B)

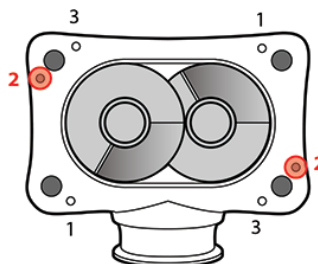
BD - Bi-Directional  
B - Bi-Directional  
2 - Pin Position 2  
A - Spindle Arrangement A  
B - Bottom



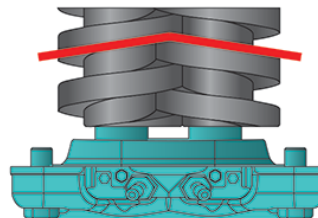
**FLOW DIRECTION:**  
**BD**



**SHAFT ROTATION:**  
**BI-DIRECTIONAL**  
evenly distributed clearance



**PIN CONFIGURATION:**  
**2**  
evenly distributed clearance



**SPINDLE ARRANGEMENT:**  
**A**