

# DATA SHEET



## Three Phase Induction Motor - Squirrel Cage

Customer	: 03012ST3QIE326TC-W22				
Product line	: W22 IEEE 841 NEMA Premium Efficiency Three-Phase		Product code :	12039624	
			Catalog # :	03012ST3QIE326TC-W22	
Frame	: 324/6TC		Locked rotor time	: 37s (cold) 21s (hot)	
Output	: 30 HP (22 kW)		Temperature rise	: 80 K	
Poles	: 6		Duty cycle	: Cont.(S1)	
Frequency	: 60 Hz		Ambient temperature	: -20°C to +40°C	
Rated voltage	: 460 V		Altitude	: 1000 m.a.s.l.	
Rated current	: 35.8 A		Protection degree	: IP55	
L. R. Amperes	: 215 A		Cooling method	: IC411 - TEFC	
LRC	: 6.0x(Code G)		Mounting	: F-1	
No load current	: 15.0 A		Rotation <sup>1</sup>	: Both (CW and CCW)	
Rated speed	: 1180 rpm		Noise level <sup>2</sup>	: 62.0 dB(A)	
Slip	: 1.67 %		Starting method	: Direct On Line	
Rated torque	: 132 ft.lb		Approx. weight <sup>3</sup>	: 614 lb	
Locked rotor torque	: 220 %				
Breakdown torque	: 250 %				
Insulation class	: F				
Service factor	: 1.25				
Moment of inertia (J)	: 13.2 sq.ft.lb				
Design	: B				
Output	25%	50%	75%	100%	
Efficiency (%)	91.5	91.7	93.0	93.0	
Power Factor	0.41	0.65	0.77	0.83	
	Foundation loads				
			Max. traction	: 1174 lb	
			Max. compression	: 1788 lb	
		<u>Drive end</u>		<u>Non drive end</u>	
Bearing type	:	6312 C3		6212 C3	
Sealing	:	Inpro/Seal		Inpro/Seal	
Lubrication interval	:	20000 h		20000 h	
Lubricant amount	:	21 g		13 g	
Lubricant type	:	Mobil Polyrex EM			
Notes					
This revision replaces and cancel the previous one, which must be eliminated. (1) Looking the motor from the shaft end. (2) Measured at 1m and with tolerance of +3dB(A). (3) Approximate weight subject to changes after manufacturing process. (4) At 100% of full load.			These are average values based on tests with sinusoidal power supply, subject to the tolerances stipulated in NEMA MG-1.		
Rev.	Changes Summary		Performed	Checked	Date
Performed by					
Checked by				Page	Revision
Date	20/11/2019			1 / 6	

# TORQUE AND CURRENT VS SPEED CURVE



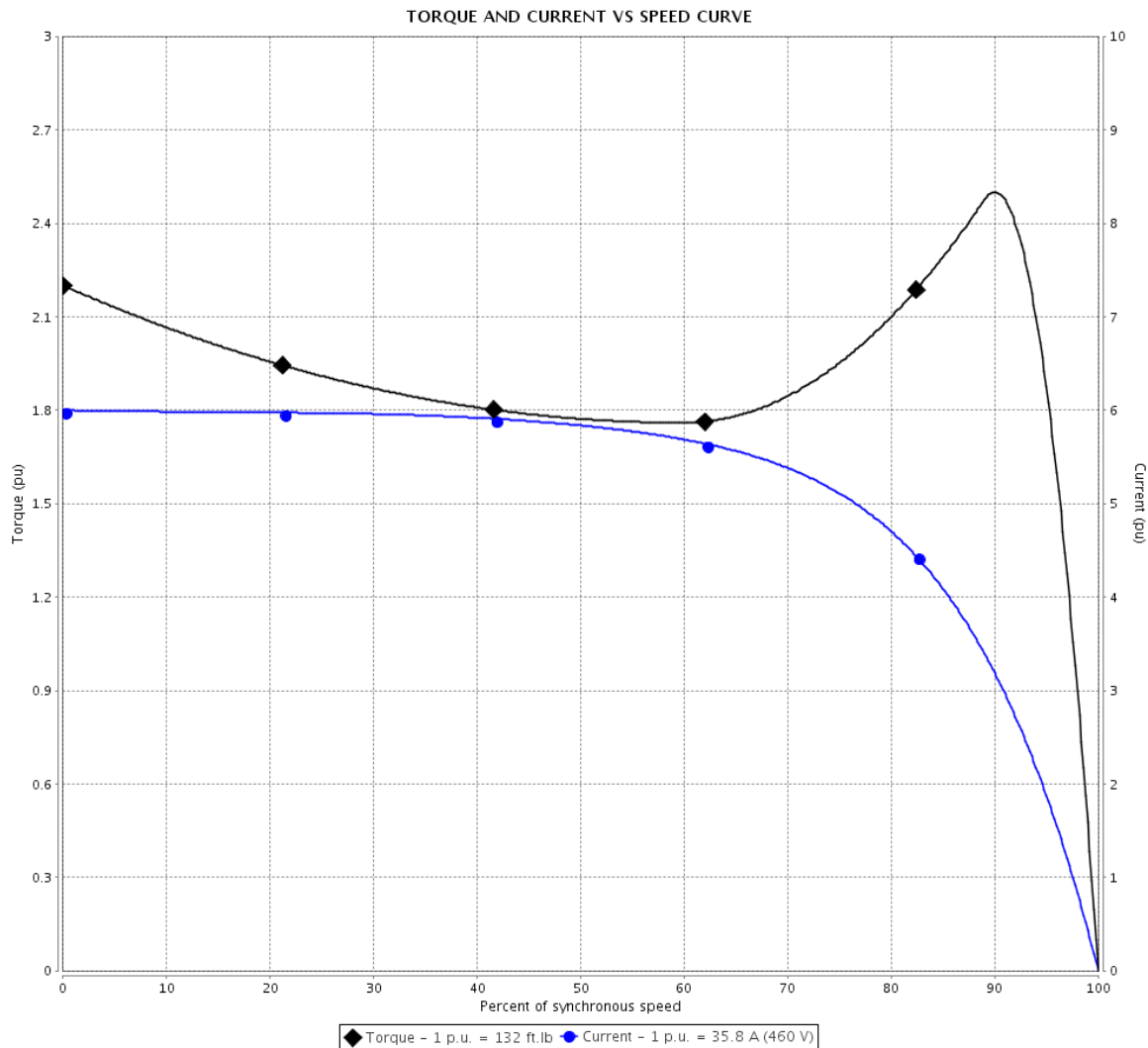
## Three Phase Induction Motor - Squirrel Cage

Customer : 03012ST3QIE326TC-W22

Product line : W22 IEEE 841 NEMA Premium Efficiency Three-Phase

Product code : 12039624

Catalog # : 03012ST3QIE326TC-W22



Performance : 460 V 60 Hz 6P

Rated current : 35.8 A  
 LRC : 6.0  
 Rated torque : 132 ft.lb  
 Locked rotor torque : 220 %  
 Breakdown torque : 250 %  
 Rated speed : 1180 rpm

Moment of inertia (J) : 13.2 sq.ft.lb  
 Duty cycle : Cont.(S1)  
 Insulation class : F  
 Service factor : 1.25  
 Temperature rise : 80 K  
 Design : B

Locked rotor time : 37s (cold) 21s (hot)

Rev.	Changes Summary	Performed	Checked	Date
Performed by			Page	Revision
Checked by			2 / 6	
Date	20/11/2019			

# LOAD PERFORMANCE CURVE



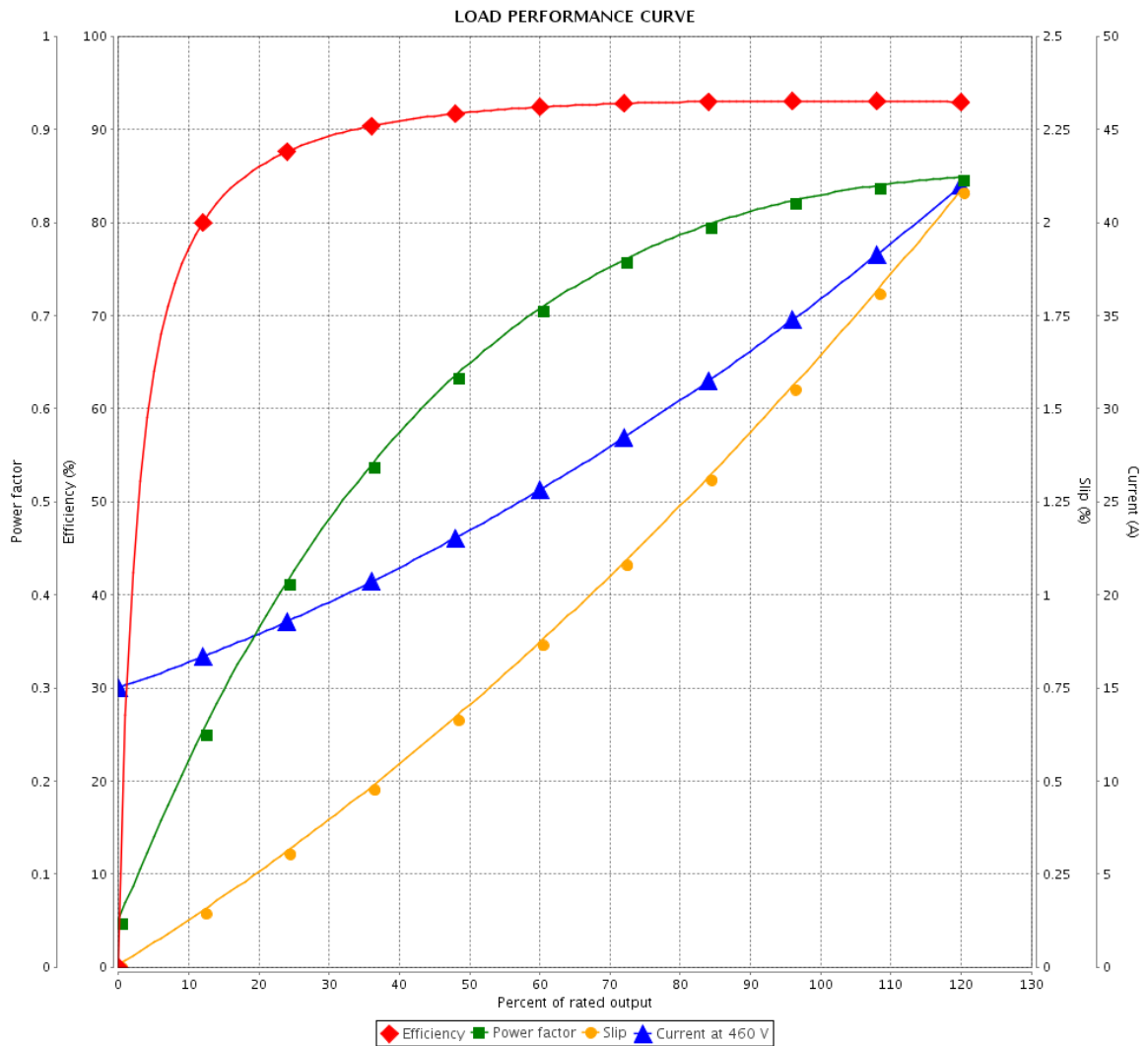
## Three Phase Induction Motor - Squirrel Cage

Customer : 03012ST3QIE326TC-W22

Product line : W22 IEEE 841 NEMA Premium Efficiency Three-Phase

Product code : 12039624

Catalog # : 03012ST3QIE326TC-W22



Performance : 460 V 60 Hz 6P

Rated current : 35.8 A  
 LRC : 6.0  
 Rated torque : 132 ft.lb  
 Locked rotor torque : 220 %  
 Breakdown torque : 250 %  
 Rated speed : 1180 rpm

Moment of inertia (J) : 13.2 sq.ft.lb  
 Duty cycle : Cont.(S1)  
 Insulation class : F  
 Service factor : 1.25  
 Temperature rise : 80 K  
 Design : B

Rev.	Changes Summary	Performed	Checked	Date
Performed by		Page		Revision
Checked by		3 / 6		
Date		20/11/2019		

# THERMAL LIMIT CURVE



## Three Phase Induction Motor - Squirrel Cage

Customer : 03012ST3QIE326TC-W22

Product line : W22 IEEE 841 NEMA Premium  
Efficiency Three-Phase

Product code : 12039624

Catalog # : 03012ST3QIE326TC-W22

Performance : 460 V 60 Hz 6P

Rated current : 35.8 A  
LRC : 6.0  
Rated torque : 132 ft.lb  
Locked rotor torque : 220 %  
Breakdown torque : 250 %  
Rated speed : 1180 rpm

Moment of inertia (J) : 13.2 sq.ft.lb  
Duty cycle : Cont.(S1)  
Insulation class : F  
Service factor : 1.25  
Temperature rise : 80 K  
Design : B

Heating constant

Cooling constant

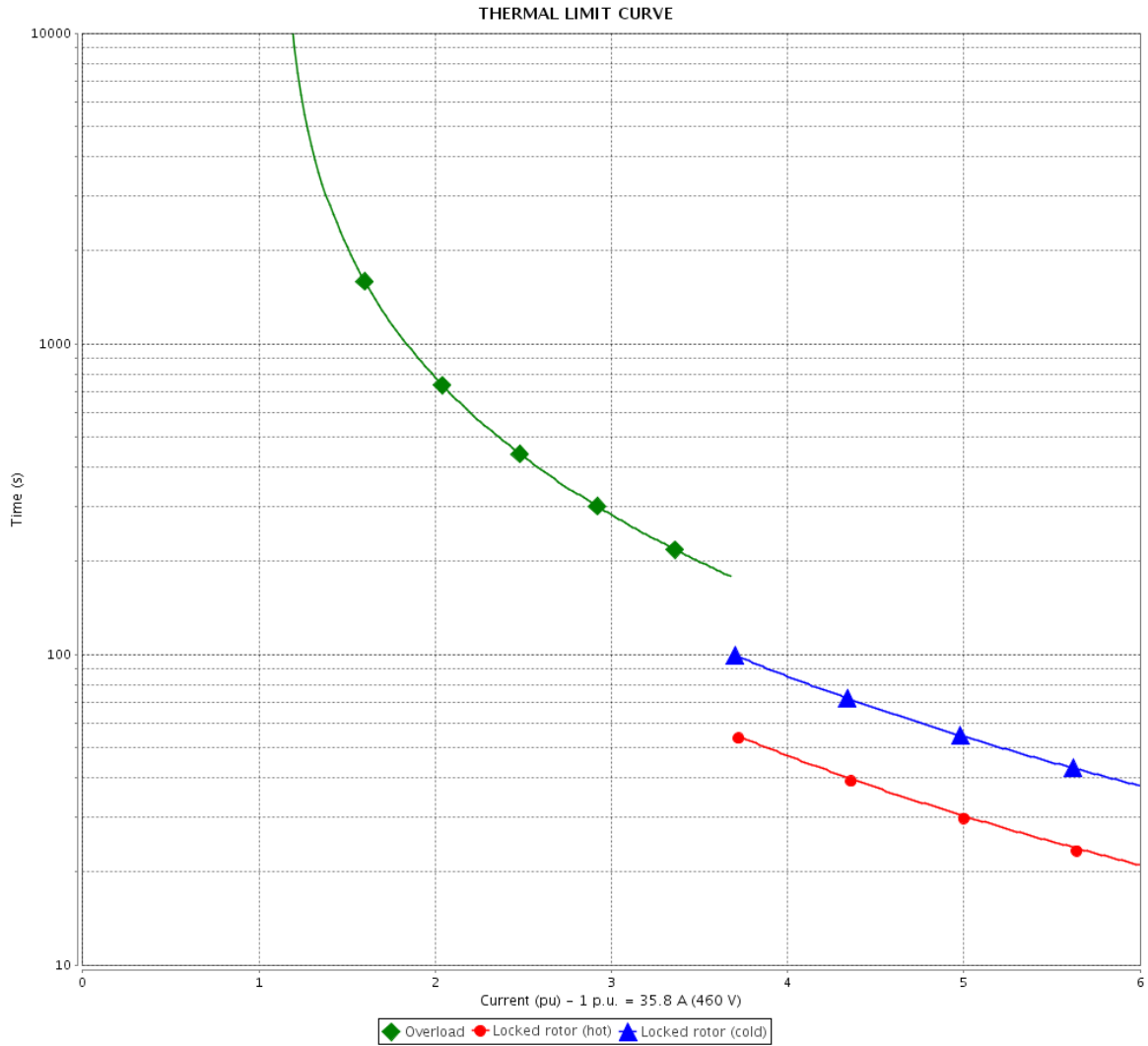
Rev.	Changes Summary	Performed	Checked	Date
Performed by			Page 4 / 6	Revision
Checked by				
Date	20/11/2019			

# THERMAL LIMIT CURVE

## Three Phase Induction Motor - Squirrel Cage



Customer : 03012ST3QIE326TC-W22



Rev.	Changes Summary	Performed	Checked	Date
Performed by		Page		Revision
Checked by		5 / 6		
Date		20/11/2019		

# VFD OPERATION CURVE

## Three Phase Induction Motor - Squirrel Cage

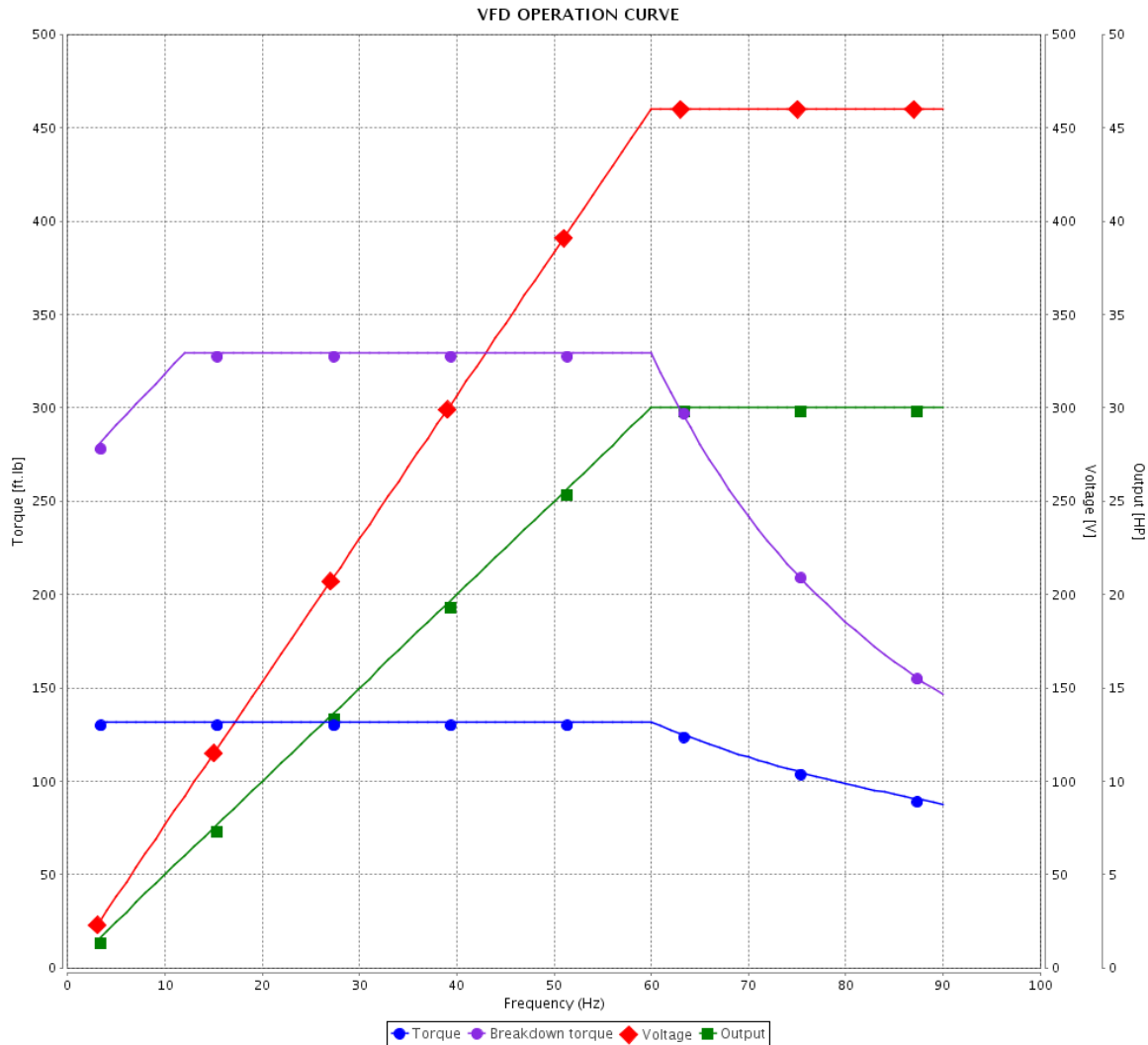


Customer : 03012ST3QIE326TC-W22

Product line : W22 IEEE 841 NEMA Premium Efficiency Three-Phase

Product code : 12039624

Catalog # : 03012ST3QIE326TC-W22



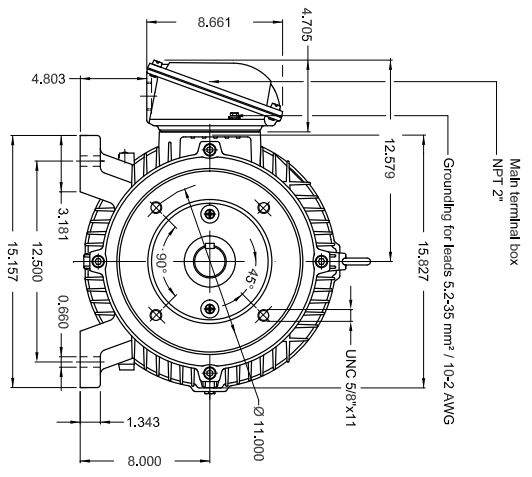
Performance : 460 V 60 Hz 6P

Rated current : 35.8 A  
 LRC : 6.0  
 Rated torque : 132 ft.lb  
 Locked rotor torque : 220 %  
 Breakdown torque : 250 %  
 Rated speed : 1180 rpm

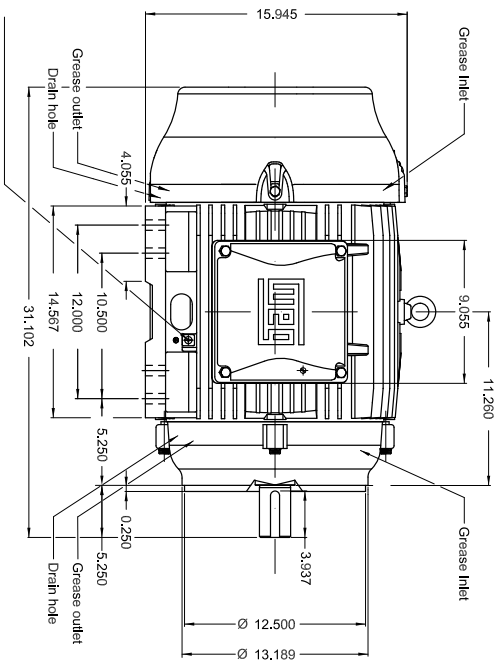
Moment of inertia (J) : 13.2 sq.ft.lb  
 Duty cycle : Cont.(S1)  
 Insulation class : F  
 Service factor : 1.25  
 Temperature rise : 80 K  
 Design : B

Rev.	Changes Summary	Performed	Checked	Date
Performed by			Page 6 / 6	Revision
Checked by				
Date	20/11/2019			

1 2 3 4 5 6



Grounding for leads 5.2-35 mm² / 10-2 AWG



Color RAL 5009
Painting plan 202E
Mounting B34R(D)

30 HP 06 Poles 60Hz		A	
EGM	LOC	SUMMARY OF MODIFICATIONS	EXECUTED
EXECUTED	PREVIOUSER	THREE PH. W22 NEMA P EFF MOTOR IEEEB41	CHECKED
CHECKED		FRAME 3246TC P55 TFC	RELEASED
RELEASED			
REL. DT.	WMO	Jorge de Sill	Product Engineering
			SHEET
			1 / 1
			PREVIEW
DATE	VER		

