

Pump Configuration Chart

FHI1A (T)

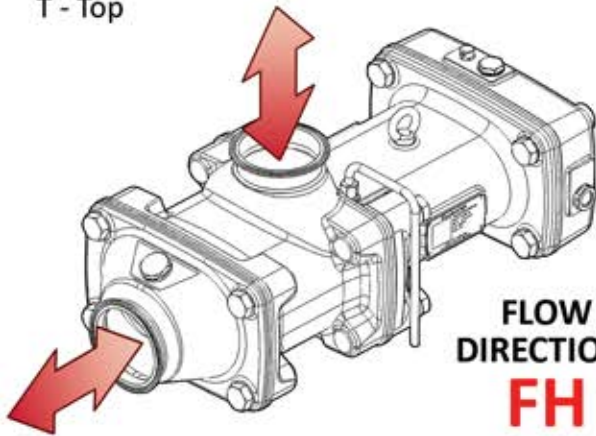
FH - Face In / Housing Out

I - Inwards

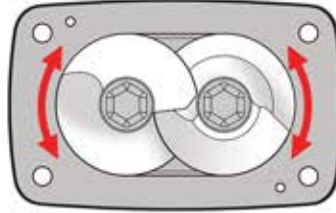
1 - Pin Position 1

A - Spindle Arrangement A

T - Top



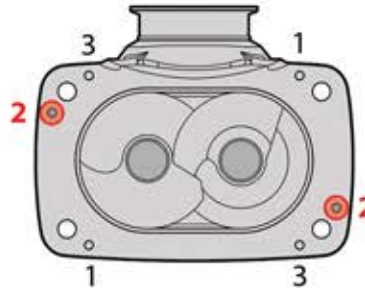
FLOW
DIRECTION:
FH



SHAFT ROTATION:

INWARDS

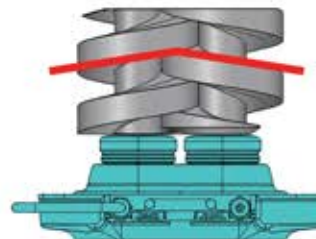
requires clearance on bottom



PIN CONFIGURATION:

1

delivers clearance on bottom



SPINDLE
ARRANGEMENT:

A