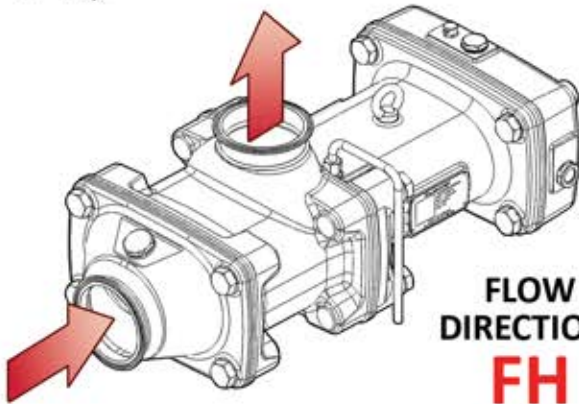


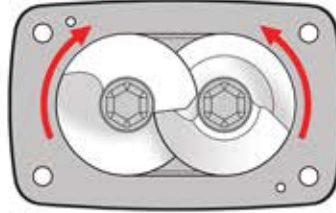
Pump Configuration Chart

FHI2A (T)

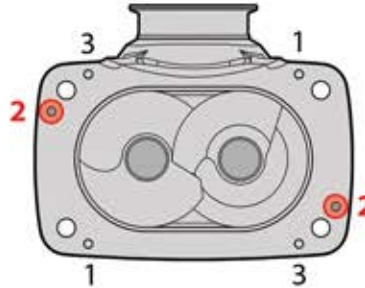
FH - Face In / Housing Out
I - Inwards
2 - Pin Position 2
A - Spindle Arrangement A
T - Top



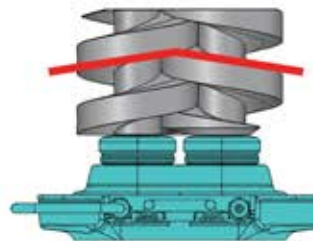
FLOW
DIRECTION:
FH



SHAFT ROTATION:
INWARDS
requires clearance on bottom



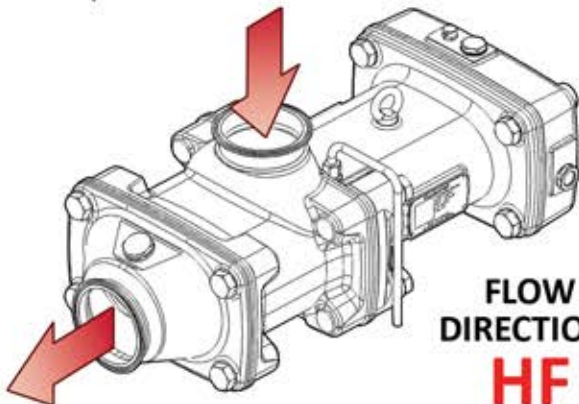
PIN CONFIGURATION:
2
evenly distributed clearance



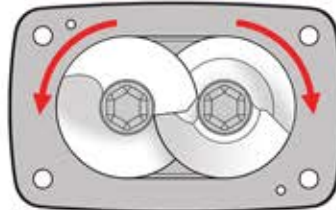
SPINDLE
ARRANGEMENT:
A

HFO2A (T)

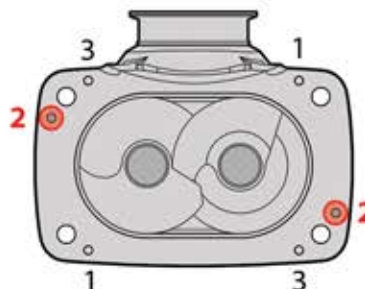
HF - Housing In / Face Out
O - Outwards
2 - Pin Position 2
A - Spindle Arrangement A
T - Top



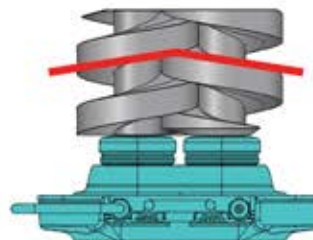
FLOW
DIRECTION:
HF



SHAFT ROTATION:
OUTWARDS
requires clearance on the top



PIN CONFIGURATION:
2
evenly distributed clearance



SPINDLE
ARRANGEMENT:
A