



No.:

Date: 01-MAY-2020

Customer :

TECHNICAL PROPOSAL
Three-phase induction motor - Squirrel cage rotor

Product line : Three-Phase: W22 IEEE-841™ Petrochem Motors - NEMA Premium® Efficiency

Catalog Number : -

List Price : \$-

Notes:

Performed by:

Checked:



No.:

Date: 01-MAY-2020

DATA SHEET

Three-phase induction motor - Squirrel cage rotor

Customer :
 Product line : Three-Phase: W22 IEEE-841™ Petrochem Motors - NEMA Premium® Efficiency

Frame : 284/6T
 Output : 25 HP
 Frequency : 60 Hz
 Poles : 4
 Full load speed : 1765 rpm
 Slip : 1.94 %
 Voltage : 460 V
 Rated current : 29.5 A
 Locked rotor current : 183 A
 Locked rotor current (I_L/I_n) : 6.2
 No-load current : 10.5 A
 Full load torque : 73.4 lb.ft
 Locked rotor torque : 240 %
 Breakdown torque : 270 %
 Design : B
 Insulation class : F
 Temperature rise : 80 K
 Locked rotor time : 24 s (hot)
 Service factor : 1.25
 Duty cycle : S1
 Ambient temperature : -20°C - +40°C
 Altitude : 1000 m
 Degree of Protection : IP55
 Approximate weight : 416 lb
 Moment of inertia : 5.1084 sq.ft.lb
 Noise level : 63 dB(A)

	D.E.	N.D.E.	Load	Power factor	Efficiency (%)
Bearings	6311 C3	6211 C3	100%	0.84	93.6
Regreasing interval	20000 h	20000 h	75%	0.80	93.0
Grease amount	18 g	11 g	50%	0.70	92.4

Notes:

Performed by

Checked

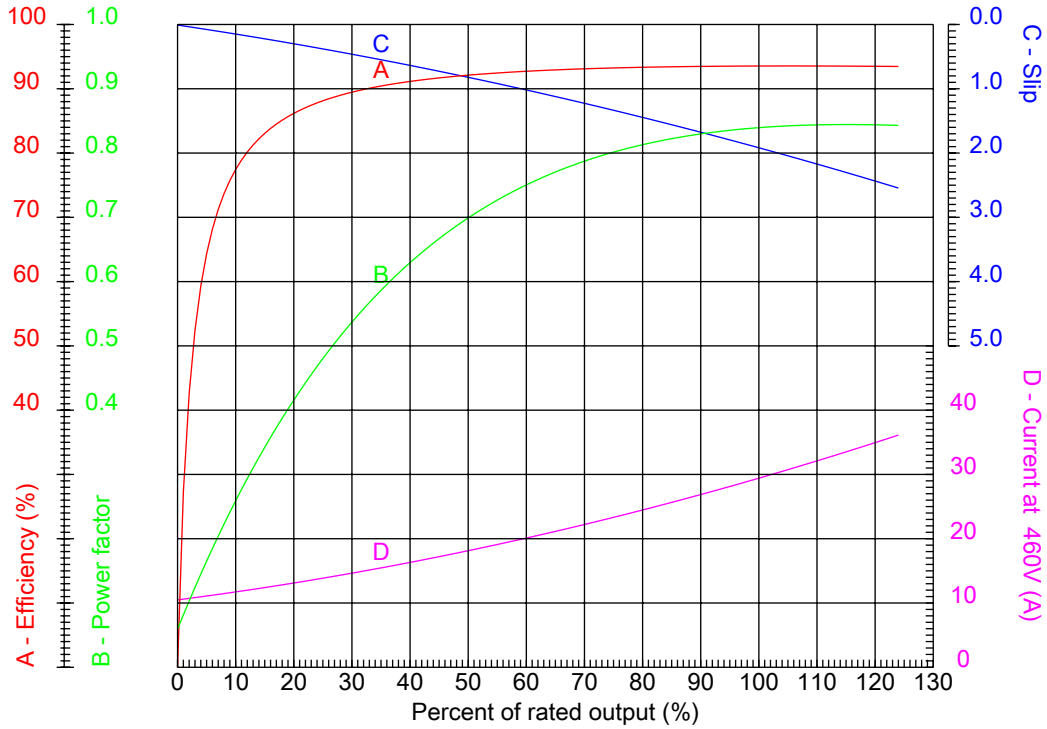


No.:

Date: 01-MAY-2020

PERFORMANCE CURVES RELATED TO RATED OUTPUT

Three-phase induction motor - Squirrel cage rotor



Customer :
Product line : Three-Phase: W22 IEEE-841™ Petrochem Motors - NEMA Premium® Efficiency

Frame : 284/6T	Locked rotor current (I _L /I _n) : 6.2
Output : 25 HP	Duty cycle : S1
Frequency : 60 Hz	Service factor : 1.25
Full load speed : 1765 rpm	Design : B
Voltage : 460 V	Locked rotor torque : 240 %
Rated current : 29.5 A	Breakdown torque : 270 %
Insulation class : F	

Notes:

Performed by

Checked

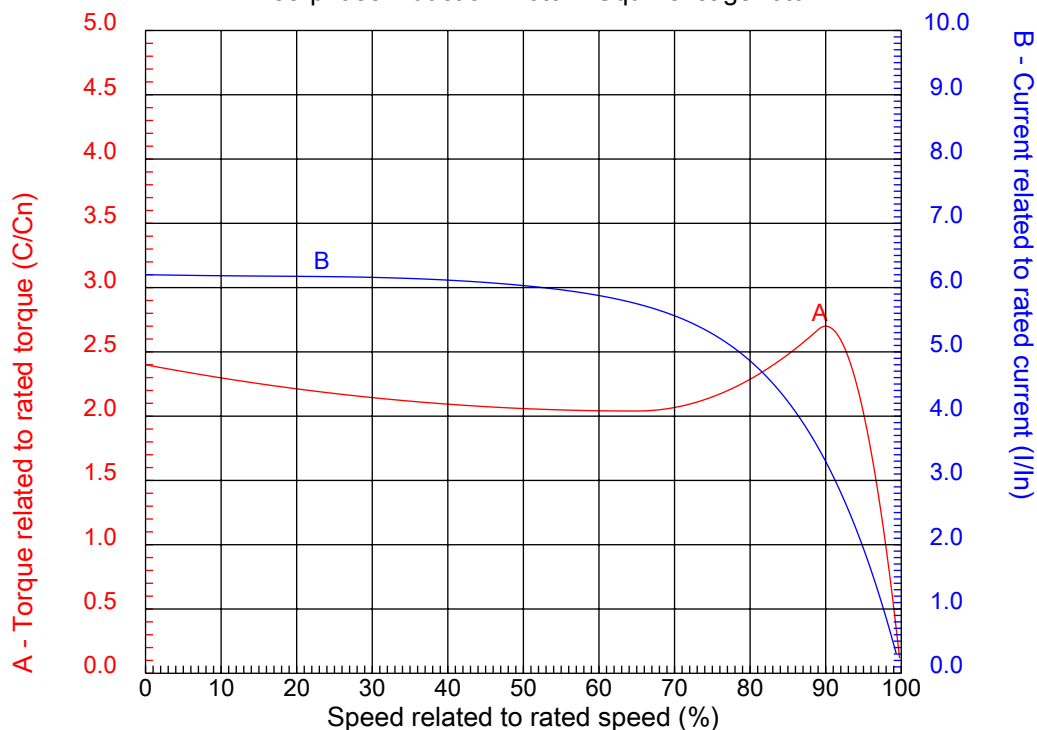


No.:

Date: 01-MAY-2020

CHARACTERISTIC CURVES RELATED TO SPEED

Three-phase induction motor - Squirrel cage rotor



Customer :
Product line : Three-Phase: W22 IEEE-841™ Petrochem Motors - NEMA Premium® Efficiency

Frame	: 284/6T	Locked rotor current (I _l /I _n)	: 6.2
Output	: 25 HP	Duty cycle	: S1
Frequency	: 60 Hz	Service factor	: 1.25
Full load speed	: 1765 rpm	Design	: B
Voltage	: 460 V	Locked rotor torque	: 240 %
Rated current	: 29.5 A	Breakdown torque	: 270 %
Insulation class	: F		

Notes:

Performed by

Checked

1 2 3 4 5 6 7 8

A

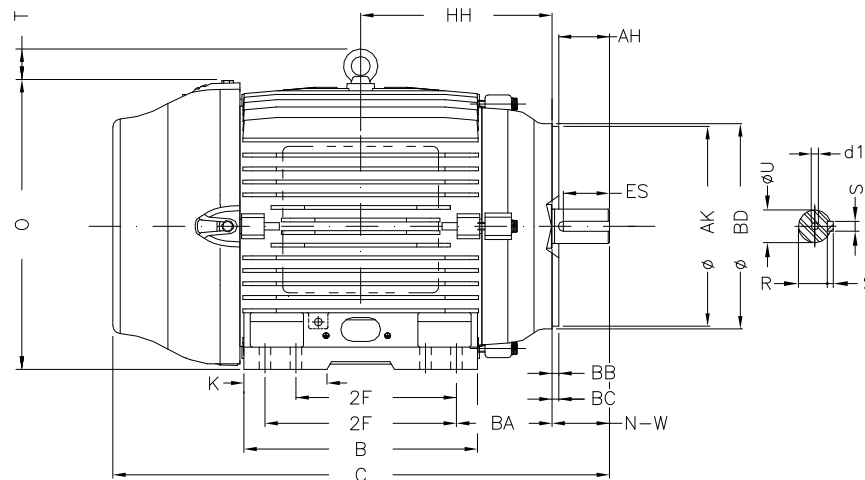
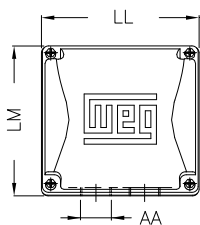
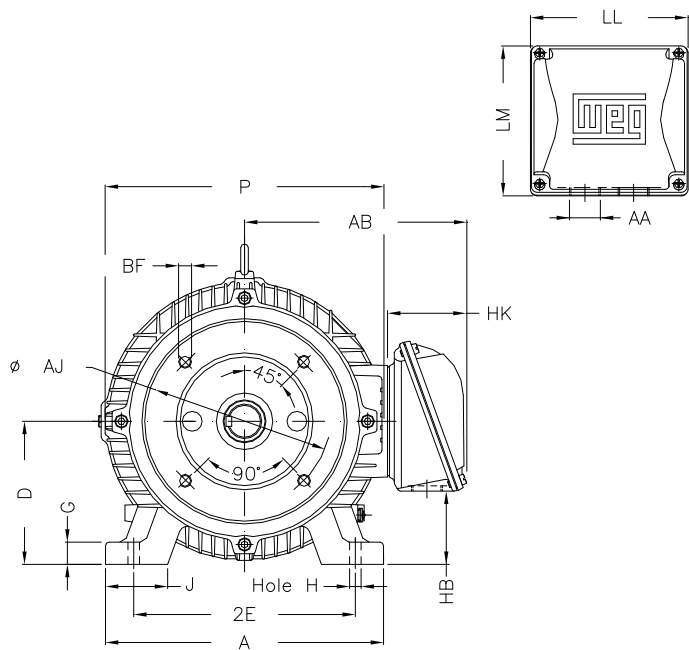
B

C

D

E

F



Notes:

Performed by:

Checked:

Customer:

Three-Phase: W22 IEEE-841™ Petrochem Motors - NEMA Premium® Efficiency

Three-phase induction motor
Frame 284/6T - IP55

01-MAY-2020



2E	J	A	P	AB
11.000	2.244	12.953	14.173	11.083
2F	B	BA	U	N-W
9.500/11.000	13.071	4.750	1.875	4.622
ES	S	R	depth	D
3.150	0.500	1.594	0.500	7.000
G	HB	O	T	HF
0.669	3.543	13.850	2.304	7.008
HH	HK	H	C	LL
10.256	3.976	0.531	27.913	7.815
LM	AA	d1	d2	Flange
7.480	NPT 1 1/2"	A 4	A 4	FC-228
AJ	AK	BD	BF	BB
9.000	10.500	11.03	UNC 1/2"x13	0.250
BC	AH			
0.250	111.13			

1 2 3 4 5 6 7 8

A
B
C
D
E
F

RUN



ONLY FOR START



Notes:		
Performed by:		
Checked:		
Customer:		
Three-Phase: W22 IEEE-841™ Petrochem Motors - NEMA Premium® Efficiency		
Three-phase induction motor Frame 284/6T - IP55	01-MAY-2020	